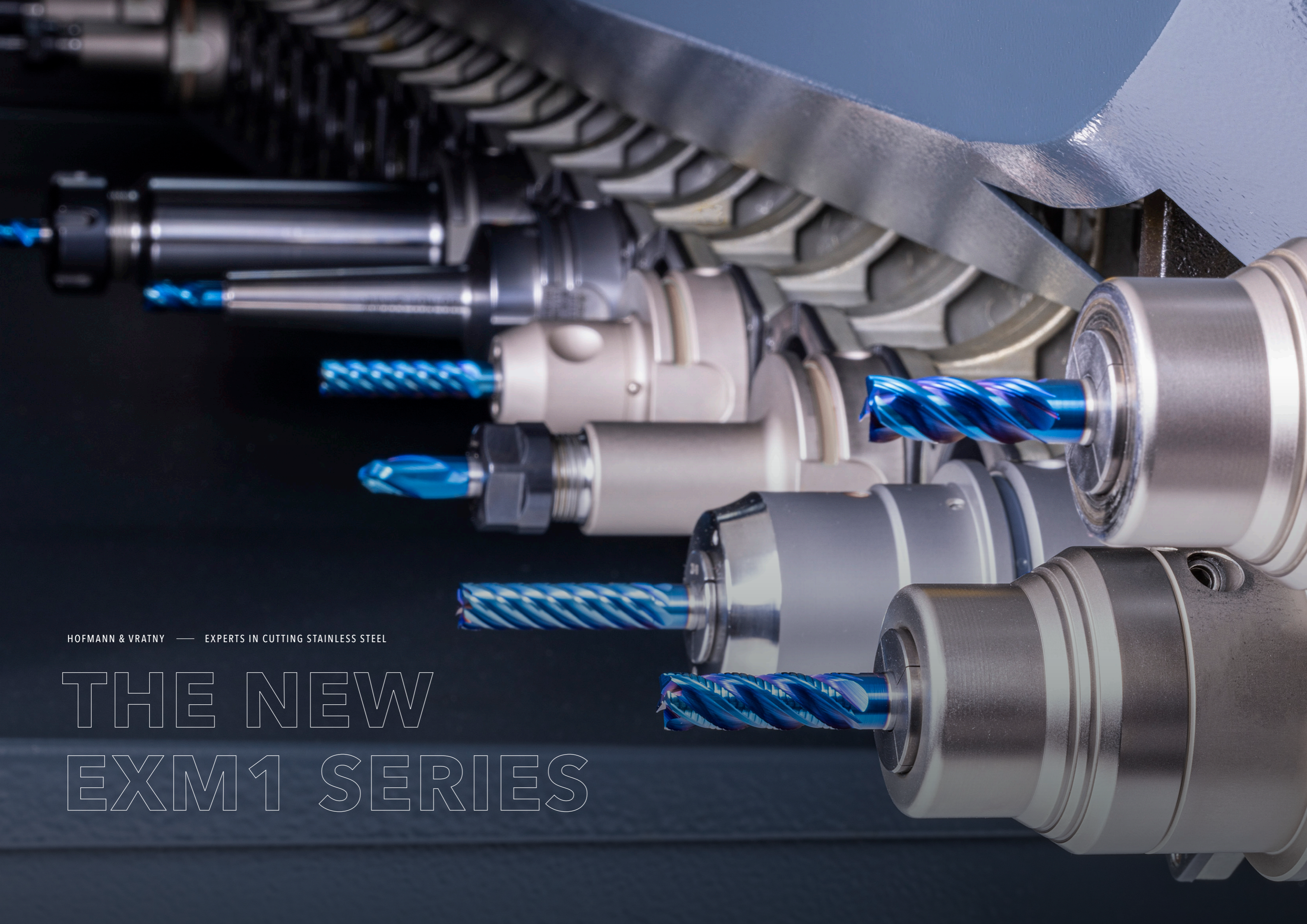




HOFMANN & VRATNY — EXM1 SERIES EM

EXM1 SERIES





HOFMANN & VRATNY — EXPERTS IN CUTTING STAINLESS STEEL

THE NEW EXM1 SERIES

THE RIGHT MILLING CUTTER. AT ALL TIMES.

Welcome to Hofmann & Vratny. As the leading manufacturer of solid carbide milling cutters, we enable companies throughout the world to manufacture their products.

Every day, our strong team works on our collective goal of producing the best milling cutters in the world. Companies from the medical industry, semiconductor industry, machine and plant construction, aviation, aerospace engineering and, not least, the automotive industry have been using our milling cutters for many years now. Quality - Made in Bavaria.

The success of our company is built on innovation, a culture of cooperation, open dealings on an equal footing and many years of successful and trustful collaboration with our business partners. You can count on us, our milling cutters and our irrepensible drive to shape the future of the industry together. To us, that means shaping tomorrow.

Andreas Vratny

Zdenek Vratny

Marius Heinemann-Grüder



OUR NEW
EXM1 Series



46
YEARS OF
EXPERIENCE

2 Mio.
MILLING
CUTTERS
PRODUCED
EVERY YEAR

MADE IN BAVARIA

Our milling cutters are used by companies all over the world. Still they all have the same origin: Our production sites in Bavaria, Germany.

As a traditional company, we are proud of our strong connection to the region. Ever since we were founded, we have been firmly tied to our homeland, and our team works on producing the best milling cutters in the world in a familial environment. Genuine quality work, the highest-quality craftsmanship and a strong promotion and retention of our talent: This is what Made in Bavaria means to us.


**MADE IN
BAVARIA**

PROVEN QUALITY





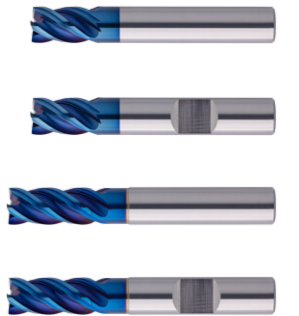
OUR NEW EXM1 SERIES

TABLE OF CONTENTS

THE NEW EXM1-SERIES	10
THE EXM1 SERIES AT A GLANCE	12
COMPARING THE PERFORMANCE WITHIN THE EXM1 SERIES	15
COMPARISON WITH THE COMPETITION - PERFORMMAKER Z4 2xD ANNX (TRIMMING IN V2A)	16
COMPARISON WITH THE COMPETITION - PERFORMMAKER Z4 2xD ANNX (TRIMMING IN V4A)	18
COMPARISON WITH THE COMPETITION - PERFORMMAKER Z4 2xD ANNX (TRIMMING IN DUPLEX)	20
HIGH PERFORMANCE COATING ALPHANOX NAVY X	22
DIGITAL SERVICES	24
NUMBERING SYSTEM	25

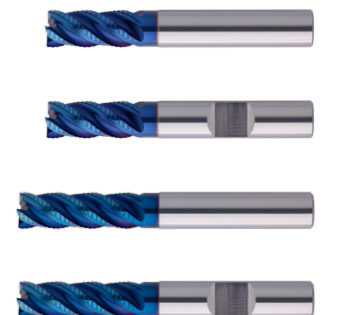
EXM1-M01 PERFORMMAKER

EXM1-M01-0113 EXM1 Performmaker Z4 1.5xD ANNX	26
EXM1-M01-0114 EXM1 Performmaker Z4 1.5xD ANNX	28
EXM1-M01-0123 EXM1 Performmaker Z4 2xD ANNX	30
EXM1-M01-0124 EXM1 Performmaker Z4 2xD ANNX	32



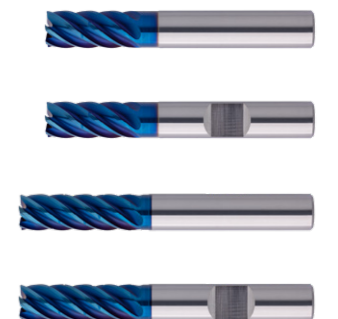
EXM1-M02 SLOTMAKER

EXM1-M02-0123 EXM1 Slotmaker Z4 2xD ANNX	34
EXM1-M02-0124 EXM1 Slotmaker Z4 2xD ANNX	36
EXM1-M02-0153 EXM1 Slotmaker Z4 3xD ANNX	38
EXM1-M02-0154 EXM1 Slotmaker Z4 3xD ANNX	40



EXM1-M03 CHIPMAKER

EXM1-M03-0103 EXM1 Chipmaker Z6 2xD ANNX	42
EXM1-M03-0104 EXM1 Chipmaker Z6 2xD ANNX	44
EXM1-M03-0113 EXM1 Chipmaker Z6 3xD ANNX	46
EXM1-M03-0114 EXM1 Chipmaker Z6 3xD ANNX	48



EXM1-M03 CHIPMAKER

EXM1-M03-0123 | EXM1 Chipmaker Z6 4xD ANNX _____ 50



EXM1-M03-0124 | EXM1 Chipmaker Z6 4xD ANNX _____ 52



EXM1-M04 MIRRORMAKER

EXM1-M04-0033 | EXM1 Mirrormaker Z7 3xD ANNX _____ 54



EXM1-M04-0043 | EXM1 Mirrormaker Z7 4xD ANNX _____ 56



EXM1-M08 ROWMAKER

EXM1-M08-0003 | EXM1 Rowmaker Z2 1.5xD short ANNX _____ 58



EXM1-M08-0013 | EXM1 Rowmaker Z2 1.5xD long ANNX _____ 60



EXM1-M08-0203 | EXM1 Rowmaker Z4 1.5xD short ANNX _____ 62



EXM1-M08-0223 | EXM1 Rowmaker Z4 1.5xD long ANNX _____ 64



EXPLANATION _____ 66

MATERIAL OVERVIEW _____ 68

TECHNICAL FORMULAS _____ 78

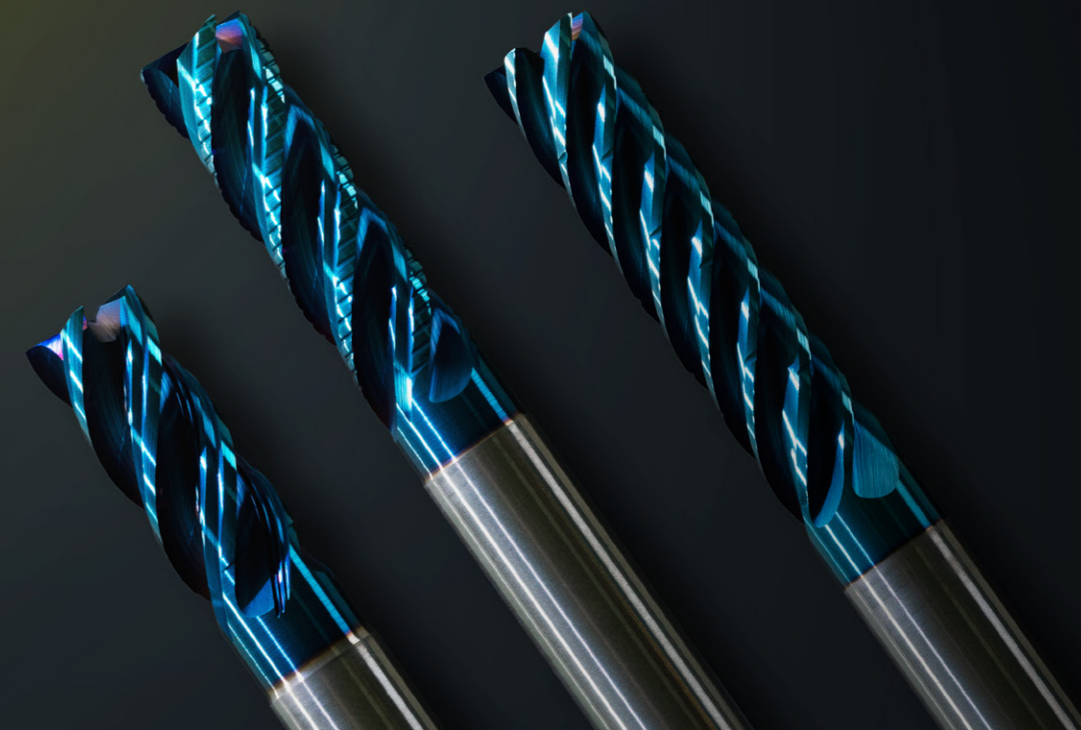
GENERAL TERMS OF SALE _____ 80

DISCOVER OUR H&V PRODUCT RANGE _____ 85



THE NEW EXM1 SERIES

Experts in cutting stainless steel



OUR NEW EXM1 SERIES PERFORMS WELL EVEN WITH THE MOST DEMANDING STAINLESS STEELS, OTHERWISE KNOWN AS SUPER DUPLEX STEELS

Stainless steels are very popular in industry not only because of their corrosion resistance, they are also hygienic, temperature-resistant and extremely durable. Stainless steels are mostly used in the food industry, medical technology, the pharmaceutical industry, the chemical industry and in the off-shore sector. Depending on the requirements, different alloys are used, which are classified into the following categories:

- Ferritic
- Martensitic
- Austenitic
- Austenitic-ferritic (duplex)

The H&V EXM1 Series was developed to reliably machine these different structures and also to withstand components such as nickel, manganese, tungsten or titanium.

- Designed for high productivity and lasting durability
- Ultra-fine grain substrate specially developed for demanding material structures. Maximum bending strength and fracture toughness combined with moderate hardness
- Innovative tool geometries ensure a wide range of uses and enable use in a wide variety of milling techniques

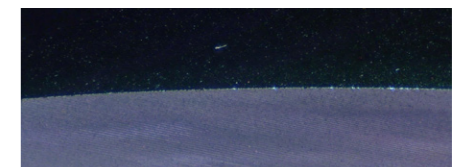
A SPECIAL EDGE PREPARATION PROCESS ENSURES:

- Entirely homogeneous cutting edges
- Even distribution of cutting forces
- Improved surface quality of the component
- Controlled and even wear

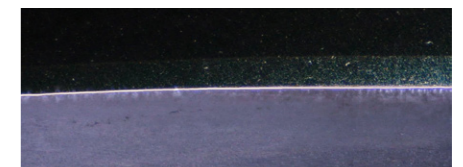


DISCOVER THE EXM1 SERIES IN ACTION

BEFORE EDGE PREPARATION



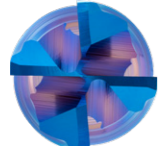
AFTER EDGE PREPARATION





Adapted face with two cutting edges up to the centre for reliable helical immersion

Reinforced cutting edge with protection radius for maximum stability



EXPERT M1 PERFORMMAKER (M01) Z4



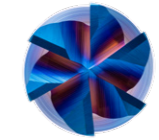
► IN ACTION

- Optimised geometry for high radial cutting depths, full slot milling up to 1xD and trochoidal machining
- Innovative grinding of the flute back for continuous optimum cooling of the cutting edges and prevention of thermal shocks
- Special unequal tooth pitch paired with variable helical pitch for perfectly smooth running even at the highest cutting and feed speeds
- Particularly stable tool core with a slightly conical shape
- Available in 1.5xD and 2xD
- Available as HA and HB
- Including ANNX coating



Adapted face cutting edge for reliable helical immersion

Reinforced cutting edge with protection radius for maximum stability



EXPERT M1 CHIPMAKER (M03) Z6



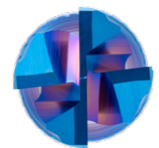
► IN ACTION

- Six cutting edges for optimised performance and an excellent chip removal rate
- Reinforced chip cups for high radial cutting depths
- Optimised chip spaces for perfect removal of chips that tend to stick
- Special unequal tooth pitch coupled with variable helical pitch for perfectly smooth running
- Available in 2xD, 3xD and 4xD
- Available as HA and HB
- Includes ANNX coating



Adapted face with two cutting edges up to the centre for reliable helical immersion

Reinforced cutting edge with protection radius for maximum stability



EXPERT M1 SLOTMAKER (M02) Z4

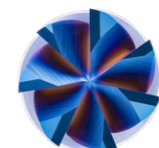


► IN ACTION

- Optimised knurled toothing for the smallest chips in volume machining
- Particularly stable tool core with a slightly conical shape
- Special unequal tooth pitch paired with variable helical pitch for perfectly smooth running even at the highest cutting and feed speeds
- Extra-large chip chambers for safe chip evacuation with high radial depth of cutting
- Available in 2xD and 3xD
- Available as HA and HB
- Including ANNX coating



Face-finish bevel for smooth workpiece surfaces

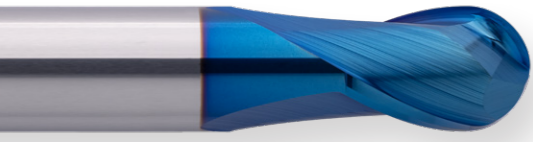


EXPERT M1 MIRRORMAKER (M04) Z7



► IN ACTION

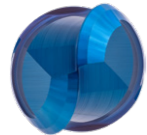
- Seven cutting edges with a special finish and optimised geometry for the highest surface quality
- Adapted chip spaces for the safe removal of particularly fine and long chips when finishing
- Slightly conical tool core and special helical pitch for the smoothest running possible and dimensional accuracy
- Available in 3xD and 4xD
- Includes ANNX coating



EXPERT M1 ROWMAKER (M08) Z2

Adapted face geometry for optimum performance and perfect dimensional accuracy

Radius tolerance determined by radius
 ≤ 2 mm = ± 0.003 mm
 > 2 mm = ± 0.005 mm



- Adapted core for smooth running
- Special chip spaces designed for optimal chip disposal when roughing and finishing
- Defined microbevel for support enables use in the high-speed range
- Optimised cross-cutting edge for maximum stability in the tool centre
- Available in standard and long versions
- Includes ANNX coating

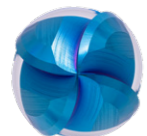


EXPERT M1 ROWMAKER (M08) Z4



Four cutting edges, right up to the centre
 Reinforced face geometry combined with a special finishing bevel for maximum performance and optimum surface quality

Radius tolerance determined by radius
 ≤ 2 mm = ± 0.003 mm
 > 2 mm = ± 0.005 mm

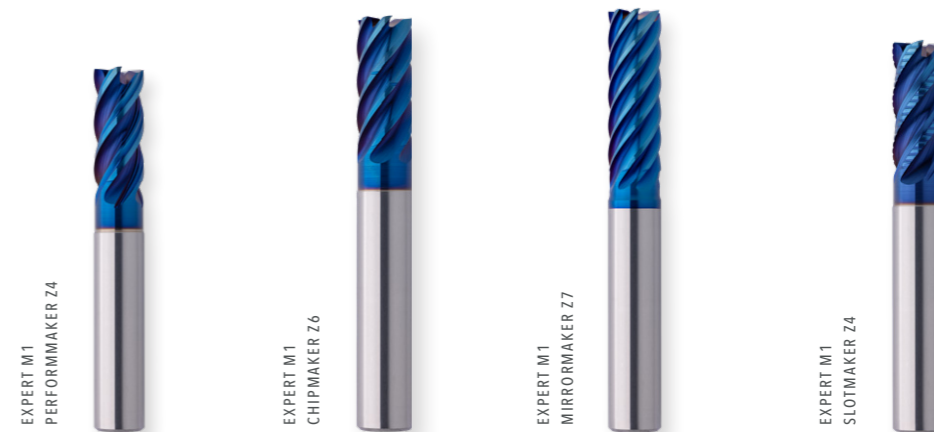


- Adapted wedge angle and helical pitch for smooth running and cutting
- Optimised chip spaces designed for maximum chip disposal, even in the high-speed range
- Maximum cutting performance with four cutting edges
- Available in standard and long versions
- Includes ANNX coating

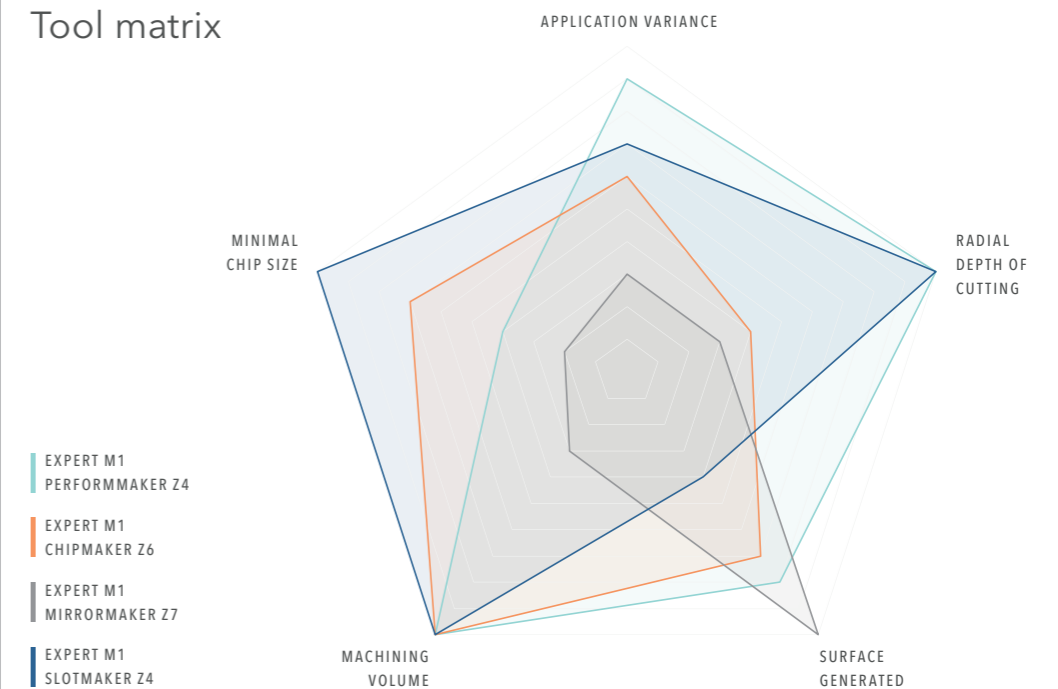
PERFORMANCE COMPARISON

COMPARING THE PERFORMANCE WITHIN THE EXM1 SERIES

The tool matrix for our EXM1 Series compares the performance of individual milling cutters within the series. The values clearly show the performance in relation to the respective property in order to help you choose the right tool for every requirement.



Tool matrix



OUR NEW PERFORMMAKER Z4 2XD ANN (EXM1-M01-0124)

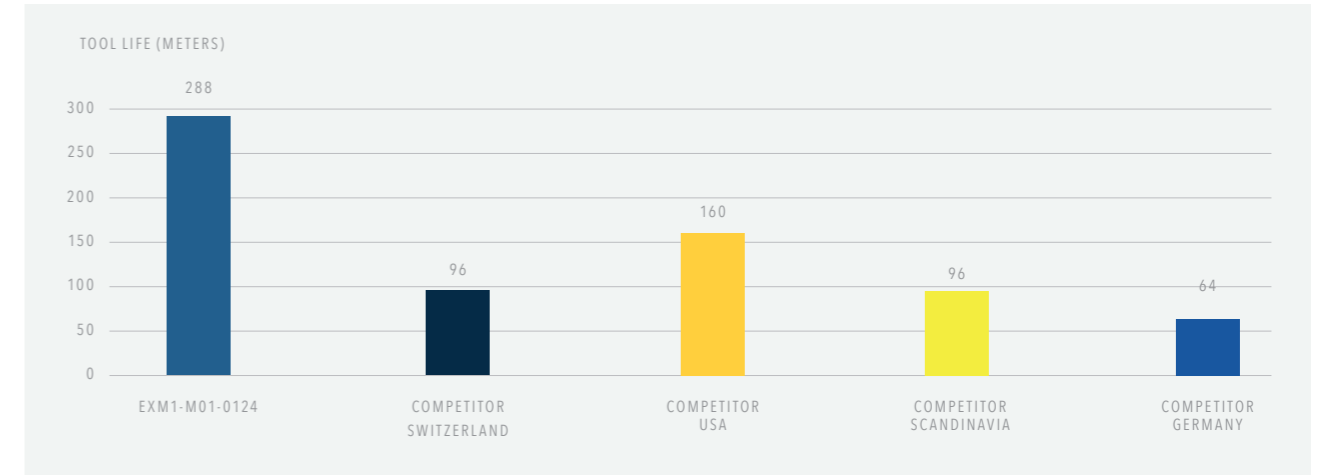
COMPARISON WITH THE COMPETITION

Comparison of tool life when trimming in V2A - 1.4301 (X5CrNi18-10)

During in-house tests carried out at our own research center, our new Performmaker came out on top in the comparison with its competitors.

Technical parameters for trimming

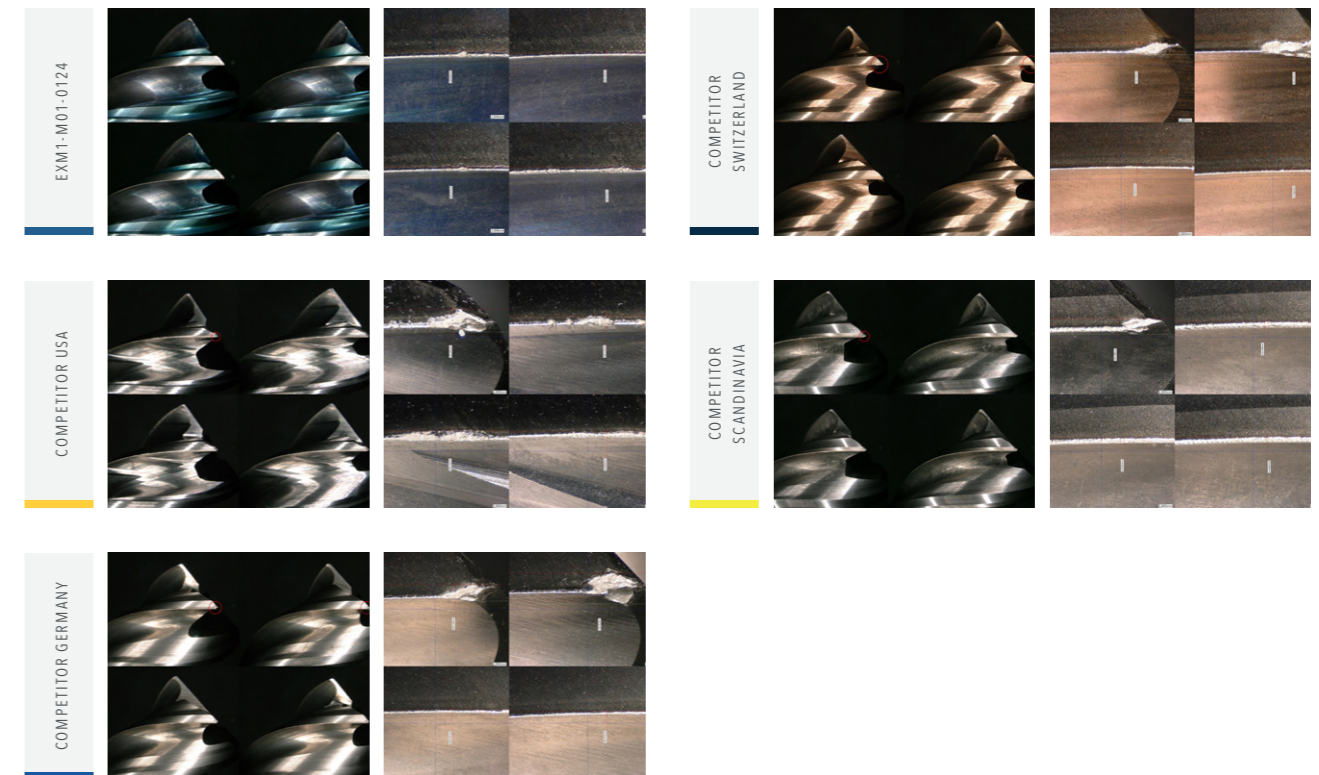
Vc	100 m/min
fz	0.062 mm/Z
ap	12 mm
ae	2.4 mm
Cooling	cooling lubricant



In addition to our EXM1 Performmaker Z4, these high-resolution photos also show our competitors' tools at the end of their respective service lives. Our Performmaker clearly stands out from our competitors' tools in terms of tool life and wear to its cutting edge.

TOOL LIFE CRITERION = WEAR OF CUTTING EDGE AND BREAKOUTS

End mill Z4 Ø12 2xD	Tool life in meters	Wear on cutting edge in mm (average)	Tool life in minutes
EXM1-M01-0124	288	0.06	438
Competitor Switzerland	128	0.11	146
Competitor USA	160	0.15	243
Competitor Scandinavia	96	0.10	146
Competitor Germany	64	0.16	97



OUR NEW PERFORMMAKER Z4 2XD ANNX (EXM1-M01-0124)

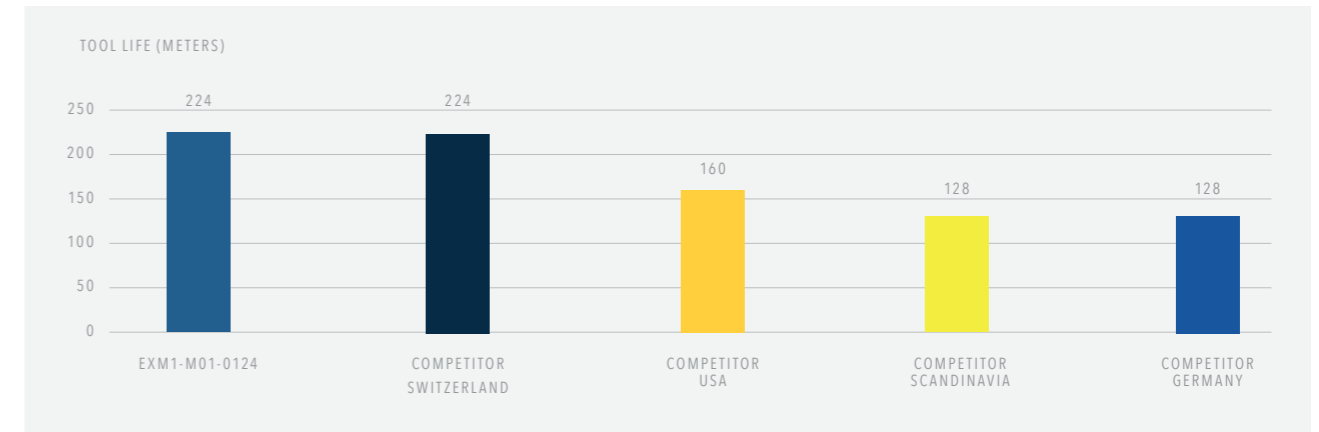
COMPARISON WITH THE COMPETITION

Comparison of tool life when trimming in V4A - 1.4571 (X6CrNiMoTi17-12-2)

During in-house tests carried out at our own research center, our new Performmaker came out on top in the comparison with its competitors.

Technical parameters for trimming

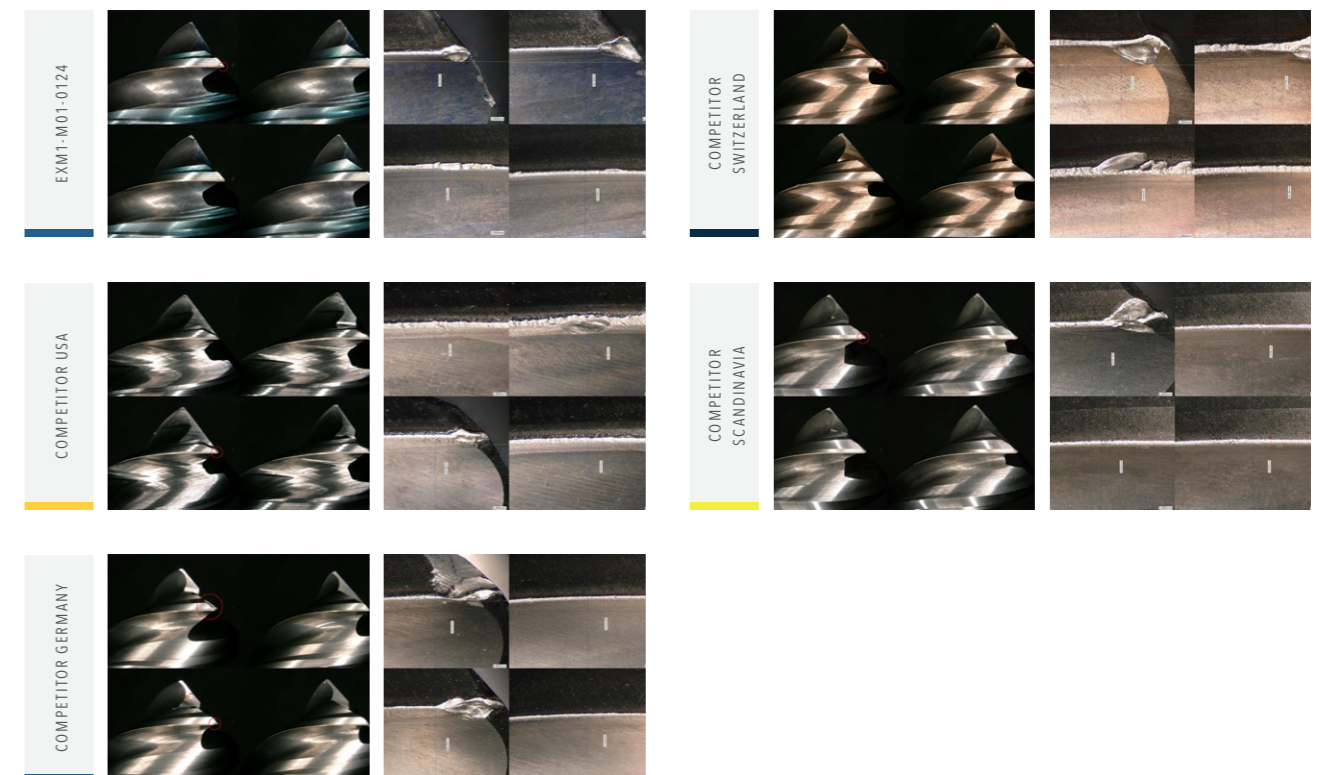
Vc	85 m/min
fz	0.062 mm/Z
ap	12 mm
ae	2.4 mm
Cooling	cooling lubricant



In addition to our EXM1 Performmaker Z4, these high-resolution photos also show our competitors' tools at the end of their respective service lives. Our Performmaker clearly stands out from our competitors' tools in terms of tool life and wear to its cutting edge.

TOOL LIFE CRITERION = WEAR OF CUTTING EDGE AND BREAKOUTS

End mill Z4 Ø12 2xD	Tool life in meters	Wear on cutting edge in mm (average)	Tool life in minutes
EXM1-M01-0124	224	0.16	401
Competitor Switzerland	224	0.24	401
Competitor USA	160	0.14	286
Competitor Scandinavia	128	0.15	229
Competitor Germany	128	0.12	229



OUR NEW PERFORMMAKER Z4 2XD ANNEX (EXM1-M01-0124)

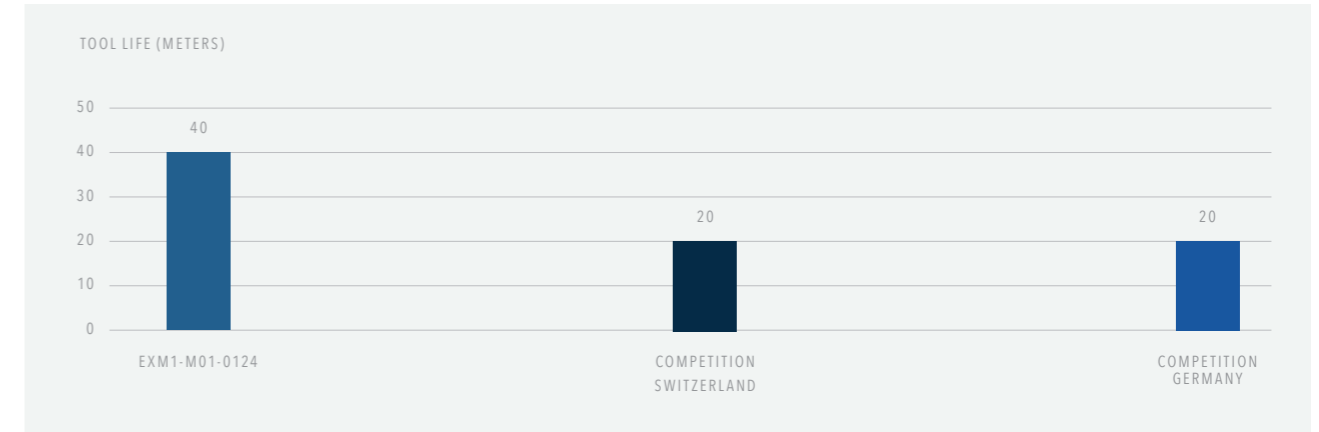
COMPARISON WITH THE COMPETITION

Comparison of tool life when trimming in Duplex – 1.4462 (X2CrNiMoN 22-5-3)

During in-house tests carried out at our own research center, our new Performmaker came out on top in the comparison with its competitors.

Technical parameters for trimming

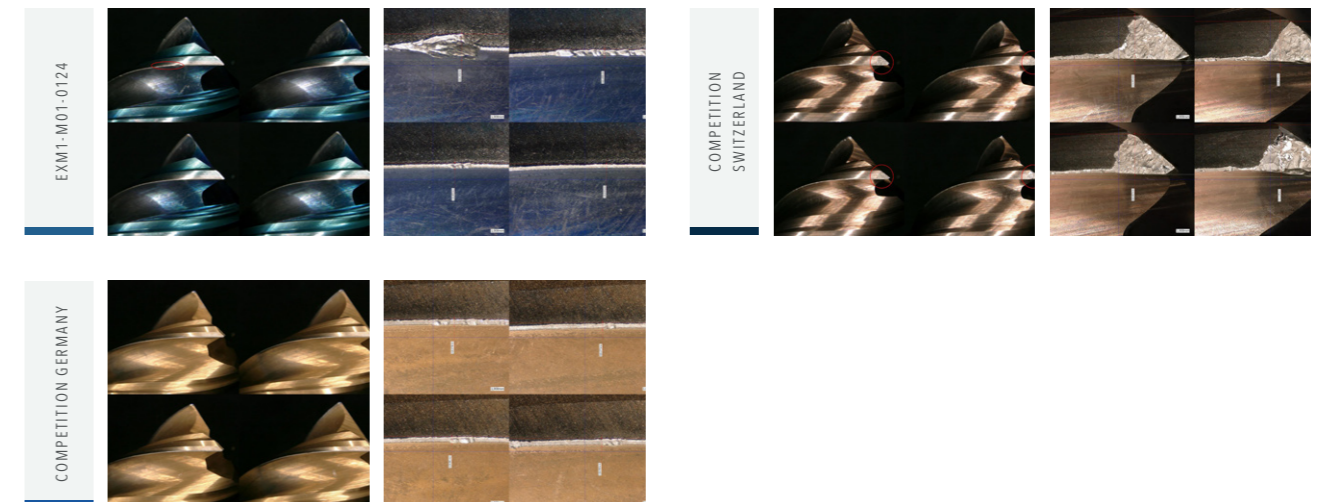
Vc	75 m/min
fz	0.062 mm/Z
ap	12 mm
ae	2.4 mm
Cooling	cooling lubricant



In addition to our EXM1 Performmaker Z4, these high-resolution photos also show our competitors' tools at the end of their respective service lives. Our Performmaker clearly stands out from our competitors' tools in terms of tool life and wear to its cutting edge.

TOOL LIFE CRITERION = WEAR OF CUTTING EDGE AND BREAKOUTS

End mill Z4 Ø12 2xD	Tool life in meters	Wear on cutting edge in mm (average)	Tool life in minutes
EXM1-M01-0124	40	0.12	80
Competitor Switzerland	20	1.00	40
Competitor Germany	20	0.09	40



ALPHA NOX NAVY X

ANNX | state-of-the-art, nano-structured multi-layer coating specially designed for machining stainless steel

We have created a new nano-structured multi-layer coating based on AlTiSiCrN in order to process different types of structure and material additives in stainless steel that can be difficult to machine.

Particularly when using super duplex steels, there is immense pressure on the cutting edges. Thanks to the multi-layer, nano-structuring of our new AlphaNox Navy X coating, a high level of elasticity is achieved and the internal stress of the coating is reduced. There is very controlled wear and the coating wears off very evenly. Layer spalling and premature breakouts are effectively prevented.

The key properties of our ANNX coating at a glance:

- Can be widely used with all stainless steels and types of structure
- Breakout prevention through low internal stress and high elasticity of the coating
- Long-lasting protection of the hard metal against material fatigue thanks to special components and structure of the coating

ANNX Outstanding layer smoothing – our new Finishing X technique

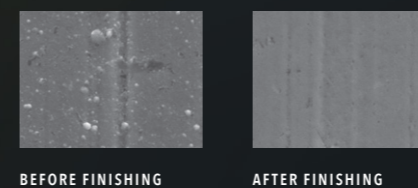
Finishing X is the name we have given to a special type of layer smoothing used in combination with AlphaNox Navy that is characterised by unparalleled evenness, more homogeneous wear, and improved wear resistance. It has been developed specially to prevent micro-breakouts caused by droplets coming loose and guarantee a chip disposal process that will remain at its optimum level for a long time. The effects of the symbiosis between our AlphaNox Navy and the Finishing X technique at a glance:

- Improved surface quality during finishing
- Optimised chip disposal due to smooth chip spaces
- Maximum stability for coating and cutting edges
- Reduction of built-up edges and chips sticking on the tool
- Absolute smoothness for a reduced friction coefficient (0.4)

ALPHANOX NAVY X ANN X - AT A GLANCE

Structure	Nanostructured multilayer
Components	Aluminium titanium silicium chromium nitride
Layer thickness	3-4 µm
Layer hardness	approx. 3000 - 3200 HV
Adhesion factor	Friction coefficient: approx. 0.4 (dry on steel)
Max. operating temperature	approx. 1100°C
Cooling	Wet machining (limited suitability for dry machining)
Main application	Stainless Steel
Secondary application (limited suitability)	Titanium, steel and cast iron

Finishing X as viewed through a scanning electron microscope



DIGITAL SERVICES



DISTRIBUTION PARTNERS

We enable companies around the world to manufacture their products. Therefore we work with reliable partners at an international level to ensure that our milling cutters are always available exactly where they are needed and can be delivered straight into your hands.

FIND OUT MORE ABOUT OUR GLOBAL SALES PARTNERS



Browse all EXM1 Series products in our shop

Discover the products in the EXM1 Series online or search for the ideal tool for your application based on various product features. We guarantee that you will find the perfect milling cutter for your machining needs using our online platform.



WHAT ARE YOU WAITING FOR?

STILL CAN'T FIND A SUITABLE MILLING CUTTER?

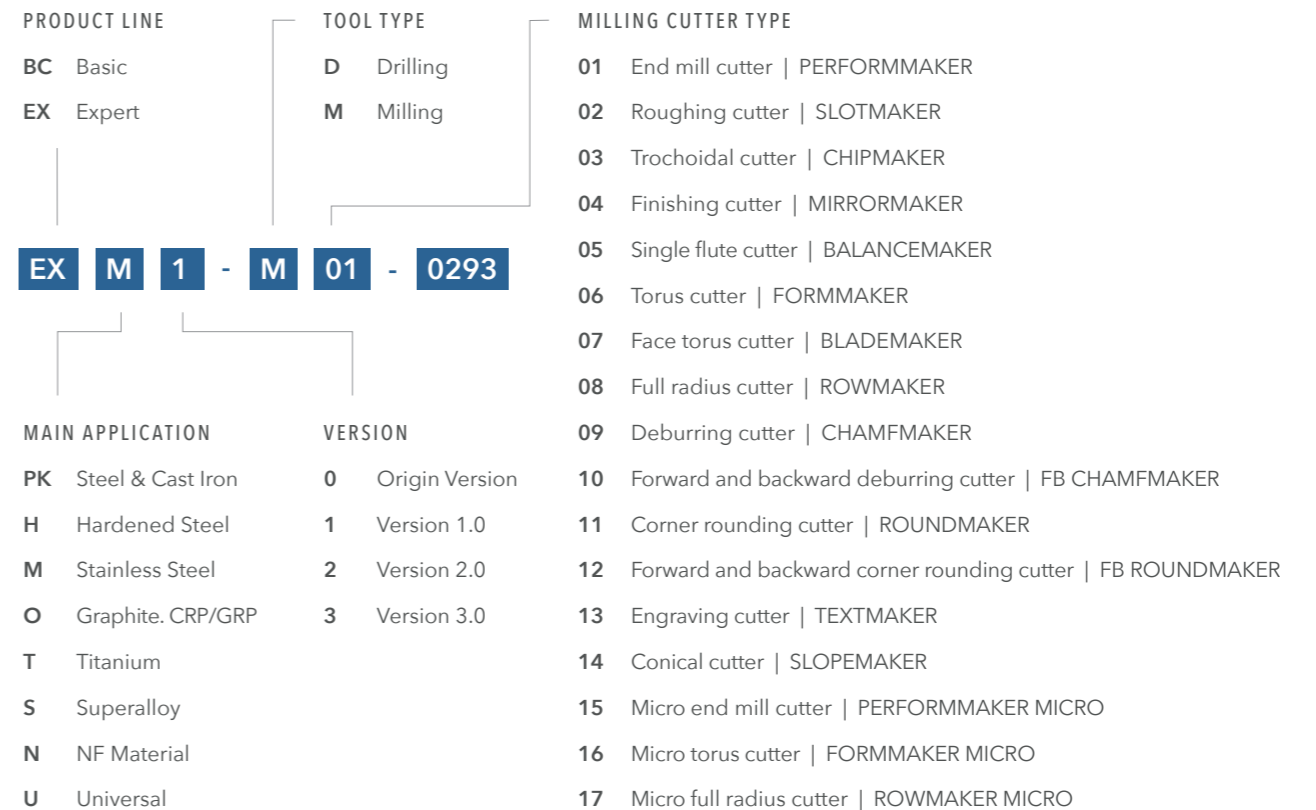
No problem - simply customize an existing tool. Using our configurator for special milling cutters, you can customize existing tools to your needs in an instant or create your own tools based on predefined types.

WE WILL RESPOND TO ALL REQUESTS SUBMITTED VIA THE CONFIGURATOR WITHIN ONE WORKING DAY AT THE LATEST



NUMBERING SYSTEM

DISTINGUISHING FEATURES



EX M 1 - M 01 - 0293

OTHER DISTINGUISHING FEATURES

EX M 1 - M 01 - 0293 - 12/0.5

PRODUCT IDENT

e.g. 0023

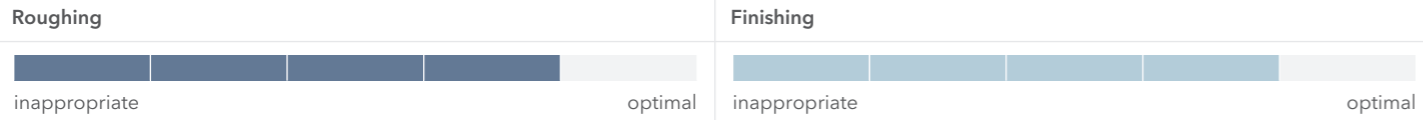
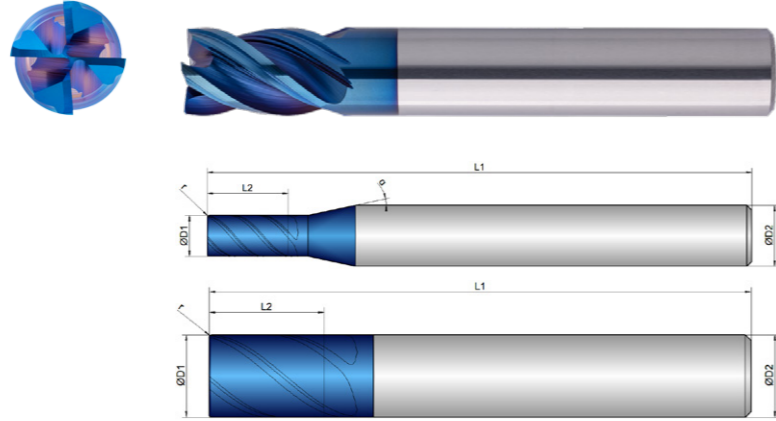
DIMENSION

- 3x10 Cutting diameter x length of undercut
- 12/0.5 Cutting diameter / corner radius
- 10 Diameter

Cooling	
Tolerance	e8
Coating	AlphaNox Navy X

Strategy	ETC	HPC		
Application				
Features	HA	≠		

- Extra stable tool core with a slightly conical course
- Special unequal tooth pitch combined with variable helical pitch for smooth running
- Designed for maximum removal rate when milling with high radial depth of cut and in the full slot up to 1xD
- For process reliable ramping, helical immersion and diving (drilling) up to 1xD
- Innovative grinding of the flute back for constant, ideal cooling of the cutting edges and prevention of thermal shocks



EXM1-M01-0113	D1	L2	L1	D2	z	r		α
	mm $\frac{mm}{\phi}$	mm	mm	mm $\frac{mm}{\phi}$	#	mm		
3	3.0	6.0	54.0	6.0	4	0.10	40	12
4	4.0	8.0	54.0	6.0	4	0.10	40	12
5	5.0	9.0	54.0	6.0	4	0.20	40	12
6	6.0	10.0	54.0	6.0	4	0.20	40	0
8	8.0	12.0	58.0	8.0	4	0.20	40	0
10	10.0	14.0	66.0	10.0	4	0.20	40	0
12	12.0	16.0	73.0	12.0	4	0.20	40	0
16	16.0	22.0	82.0	16.0	4	0.30	40	0
20	20.0	26.0	92.0	20.0	4	0.30	40	0



Download Catalog Pages (PDF)

Material	Strength (N/mm ²)	Feed (mm/Z)	Ø3		Ø4		Ø5		Ø6		Ø8		Ø10		
			fz	fz	fz	fz	fz	fz	fz	fz	fz	fz	fz	fz	
M STAINLESS STEEL															
Vc (m/min)															
1.1	ferritic/martensitic	<850	110	0.02	0.03	0.025	0.032	0.03	0.04	0.035	0.045	0.05	0.06	0.055	0.07
2.1	austenitic	<650	100	0.018	0.025	0.02	0.028	0.025	0.035	0.03	0.04	0.045	0.055	0.05	0.065
2.2	austenitic	<750	90	0.015	0.02	0.018	0.022	0.022	0.03	0.025	0.035	0.04	0.05	0.045	0.06
3.1	DUPLEX STEEL super austenitic	<1100	75	0.012	0.018	0.015	0.02	0.018	0.025	0.022	0.03	0.035	0.045	0.04	0.055
P STEEL															
Vc (m/min)															
1.1-1.5	unalloyed	<1100	180	0.02	0.025	0.02	0.025	0.03	0.035	0.04	0.045	0.05	0.06	0.055	0.07
2.1-2.4	low alloyed	<1300	145	0.015	0.02	0.015	0.02	0.025	0.03	0.035	0.04	0.045	0.055	0.05	0.065
3.1-3.3	high alloyed	<1400	135	0.012	0.018	0.012	0.018	0.022	0.028	0.032	0.038	0.042	0.052	0.045	0.06
K CASTINGS															
Vc (m/min)															
1.1	grey cast iron	<1000	200	0.02	0.025	0.02	0.025	0.03	0.035	0.04	0.045	0.05	0.06	0.055	0.07
T TITANIUM															
Vc (m/min)															
2.1-2.3	pure/alloyed	<1000	50		0.02		0.02		0.03		0.04		0.05		0.06

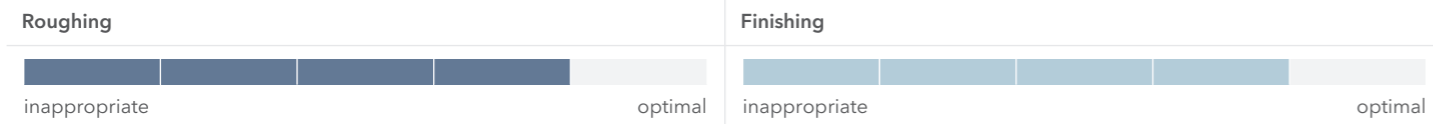
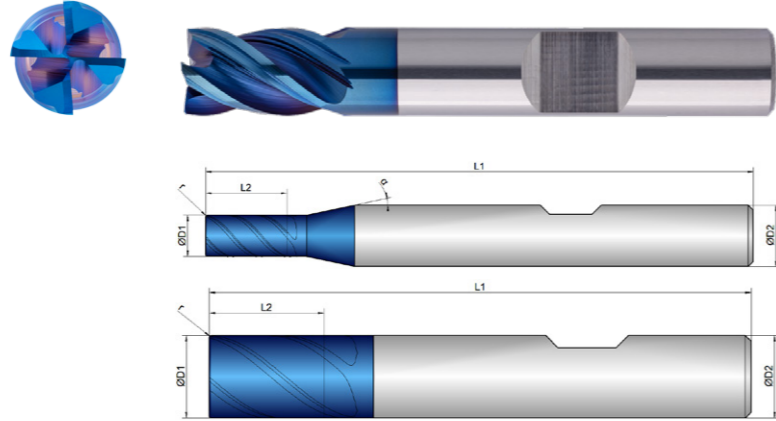
Material	Strength (N/mm ²)	Feed (mm/Z)	Ø12		Ø16		Ø20		
			fz	fz	fz	fz	fz	fz	
M STAINLESS STEEL									
Vc (m/min)									
1.1	ferritic/martensitic	<850	110	0.065	0.08	0.07	0.09	0.09	0.11
2.1	austenitic	<650	100	0.06	0.075	0.065	0.085	0.08	0.1
2.2	austenitic	<750	90	0.055	0.07	0.06	0.08	0.07	0.09
3.1	DUPLEX STEEL super austenitic	<1100	75	0.05	0.065	0.055	0.075	0.06	0.08
P STEEL									
Vc (m/min)									
1.1-1.5	STEEL unalloyed	<1100	180	0.06	0.08	0.07	0.09	0.09	0.11
2.1-2.4	STEEL low alloyed	<1300	145	0.055	0.075	0.06	0.08	0.08	0.1
3.1-3.3	STEEL high alloyed	<1400	135	0.05	0.07	0.055	0.075	0.075	0.09
K CASTINGS									
Vc (m/min)									
1.1	grey cast iron	<1000	200	0.06	0.08	0.08	0.09	0.09	0.11
T TITANIUM									
Vc (m/min)									
2.1-2.3	pure/alloyed	<1000	50		0.07		0.08		0.09

NOTE | The values marked in turquoise are side applications!

Cooling	
Tolerance	e8
Coating	AlphaNox Navy X

Strategy	ETC	HPC	
Application			
Features	HB	≠	

- Extra stable tool core with a slightly conical course
- Special unequal tooth pitch combined with variable helical pitch for smooth running
- Designed for maximum removal rate when milling with high radial depth of cut and in the full slot up to 1xD
- For process reliable ramping, helical immersion and diving (drilling) up to 1xD
- Innovative grinding of the flute back for constant, ideal cooling of the cutting edges and prevention of thermal shocks



EXM1-M01-0114	D1	L2	L1	D2	z	r		α
	mm $\frac{mm}{\phi}$	mm	mm	mm $\frac{mm}{\phi}$	#	mm		
3	3.0	6.0	54.0	6.0	4	0.10	40	12
4	4.0	8.0	54.0	6.0	4	0.10	40	12
5	5.0	9.0	54.0	6.0	4	0.20	40	12
6	6.0	10.0	54.0	6.0	4	0.20	40	0
8	8.0	12.0	58.0	8.0	4	0.20	40	0
10	10.0	14.0	66.0	10.0	4	0.20	40	0
12	12.0	16.0	73.0	12.0	4	0.20	40	0
16	16.0	22.0	82.0	16.0	4	0.30	40	0
20	20.0	26.0	92.0	20.0	4	0.30	40	0



Download Catalog Pages (PDF)

Dimension	Ø3		Ø4		Ø5		Ø6		Ø8		Ø10	
Infeed in mm	ae=1xD	ae=0.2xD	ae=1xD	ae=0.2xD	ae=1xD	ae=0.2xD	ae=1xD	ae=0.2xD	ae=1xD	ae=0.2xD	ae=1xD	ae=0.2xD
Application	ap=1xD	ap=1xD	ap=1xD	ap=1xD	ap=1xD	ap=1xD	ap=1xD	ap=1xD	ap=1xD	ap=1xD	ap=1xD	ap=1xD

Material	Strength (N/mm ²)	Feed (mm/Z)	fz	fz	fz	fz	fz	fz	fz	fz	fz	fz	fz	fz	
M STAINLESS STEEL															
Vc (m/min)															
1.1	ferritic/martensitic	<850	110	0.02	0.03	0.025	0.032	0.03	0.04	0.035	0.045	0.05	0.06	0.055	0.07
2.1	austenitic	<650	100	0.018	0.025	0.02	0.028	0.025	0.035	0.03	0.04	0.045	0.055	0.05	0.065
2.2	austenitic	<750	90	0.015	0.02	0.018	0.022	0.022	0.03	0.025	0.035	0.04	0.05	0.045	0.06
3.1	DUPLEX STEEL super austenitic	<1100	75	0.012	0.018	0.015	0.02	0.018	0.025	0.022	0.03	0.035	0.045	0.04	0.055
P STEEL															
Vc (m/min)															
1.1-1.5	unalloyed	<1100	180	0.02	0.025	0.02	0.025	0.03	0.035	0.04	0.045	0.05	0.06	0.055	0.07
2.1-2.4	low alloyed	<1300	145	0.015	0.02	0.015	0.02	0.025	0.03	0.035	0.04	0.045	0.055	0.05	0.065
3.1-3.3	high alloyed	<1400	135	0.012	0.018	0.012	0.018	0.022	0.028	0.032	0.038	0.042	0.052	0.045	0.06
K CASTINGS															
Vc (m/min)															
1.1	grey cast iron	<1000	200	0.02	0.025	0.02	0.025	0.03	0.035	0.04	0.045	0.05	0.06	0.055	0.07
T TITANIUM															
Vc (m/min)															
2.1-2.3	pure/alloyed	<1000	50		0.02		0.02		0.03		0.04		0.05		0.06

Dimension	Ø12		Ø16		Ø20	
Infeed in mm	ae=1xD	ae=0.2xD	ae=1xD	ae=0.2xD	ae=1xD	ae=0.2xD
Application	ap=1xD	ap=1xD	ap=1xD	ap=1xD	ap=1xD	ap=1xD

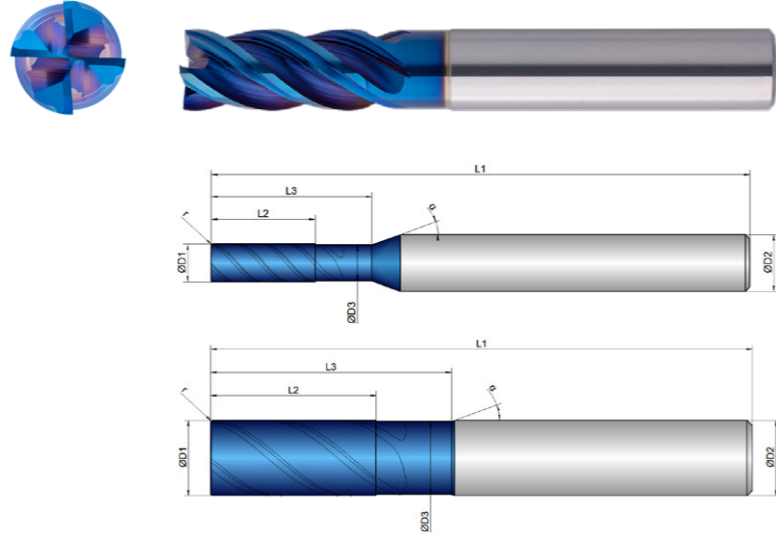
Material	Strength (N/mm ²)	Feed (mm/Z)	fz	fz	fz	fz	fz	fz	
M STAINLESS STEEL									
Vc (m/min)									
1.1	ferritic/martensitic	<850	110	0.065	0.08	0.07	0.09	0.09	0.11
2.1	austenitic	<650	100	0.06	0.075	0.065	0.085	0.08	0.1
2.2	austenitic	<750	90	0.055	0.07	0.06	0.08	0.07	0.09
3.1	DUPLEX STEEL super austenitic	<1100	75	0.05	0.065	0.055	0.075	0.06	0.08
P STEEL									
Vc (m/min)									
1.1-1.5	STEEL unalloyed	<1100	180	0.06	0.08	0.07	0.09	0.09	0.11
2.1-2.4	STEEL low alloyed	<1300	145	0.055	0.075	0.06	0.08	0.08	0.1
3.1-3.3	STEEL high alloyed	<1400	135	0.05	0.07	0.055	0.075	0.075	0.09
K CASTINGS									
Vc (m/min)									
1.1	grey cast iron	<1000	200	0.06	0.08	0.08	0.09	0.09	0.11
T TITANIUM									
Vc (m/min)									
2.1-2.3	pure/alloyed	<1000	50		0.07		0.075		0.09

NOTE | The values marked in turquoise are side applications!

Cooling	
Tolerance	e8
Coating	AlphaNox Navy X

Strategy	ETC	HPC	
Application			
Features	HA	≠	

- Extra stable tool core with a slightly conical course
- Special unequal tooth pitch combined with variable helical pitch for smooth running
- Designed for maximum removal rate when milling with high radial depth of cut and in the full slot up to 1.5xD
- For process reliable ramping, helical immersion and diving (drilling) up to 1xD
- Innovative grinding of the flute back for constant, ideal cooling of the cutting edges and prevention of thermal shocks



Roughing					Finishing				
inappropriate					optimal				

EXM1-M01-0123	D1	D3	L2	L3	L1	D2	z	r	α
	mm	mm	mm	mm	mm	mm	#	mm	°
2	2.0	1.8	5.0	10.0	57.0	6.0	4	0.10	40
3	3.0	2.8	8.0	13.0	57.0	6.0	4	0.10	40
4	4.0	3.8	11.0	17.0	57.0	6.0	4	0.10	40
5	5.0	4.8	13.0	20.0	57.0	6.0	4	0.20	40
6	6.0	5.8	13.0	20.0	57.0	6.0	4	0.20	40
8	8.0	7.7	19.0	25.0	63.0	8.0	4	0.20	40
10	10.0	9.7	22.0	32.0	72.0	10.0	4	0.20	40
12	12.0	11.6	26.0	38.0	83.0	12.0	4	0.20	40
16	16.0	15.5	32.0	44.0	92.0	16.0	4	0.30	40
20	20.0	19.5	41.0	54.0	104.0	20.0	4	0.30	40



Download Catalog Pages (PDF)

Dimension	Ø2		Ø3		Ø4		Ø5		Ø6		Ø8	
Infeed in mm	ae=1xD	ae=0.2xD	ae=1xD	ae=0.2xD	ae=1xD	ae=0.2xD	ae=1xD	ae=0.2xD	ae=1xD	ae=0.2xD	ae=1xD	ae=0.2xD
Application	ap=1xD	ap=2xD	ap=1xD	ap=2xD	ap=1xD	ap=2xD	ap=1xD	ap=2xD	ap=1xD	ap=2xD	ap=1xD	ap=2xD

Material	Strength (N/mm ²)	Feed (mm/Z)	fz	fz	fz	fz	fz	fz	fz	fz	fz	fz	fz	
M STAINLESS STEEL														
Vc (m/min)														
1.1	ferritic/martensitic	<850	110	0.015	0.022	0.02	0.03	0.025	0.032	0.03	0.04	0.035	0.045	0.05
2.1	austenitic	<650	100	0.012	0.02	0.018	0.025	0.02	0.028	0.025	0.035	0.03	0.04	0.045
2.2	austenitic	<750	90	0.01	0.018	0.015	0.02	0.018	0.022	0.022	0.03	0.025	0.035	0.04
3.1	DUPLEX STEEL super austenitic	<1100	75	0.008	0.015	0.012	0.018	0.015	0.02	0.018	0.025	0.022	0.03	0.035
P STEEL														
Vc (m/min)														
1.1-1.5	unalloyed	<1100	180	0.015	0.022	0.02	0.025	0.02	0.025	0.03	0.035	0.04	0.045	0.05
2.1-2.4	low alloyed	<1300	145	0.012	0.018	0.015	0.02	0.015	0.02	0.025	0.03	0.035	0.04	0.045
3.1-3.3	high alloyed	<1400	135	0.01	0.015	0.012	0.018	0.012	0.018	0.022	0.028	0.032	0.038	0.042
K CASTINGS														
Vc (m/min)														
1.1	grey cast iron	<1000	200	0.015	0.022	0.02	0.025	0.02	0.025	0.03	0.035	0.04	0.045	0.05
T TITANIUM														
Vc (m/min)														
2.1-2.3	pure/alloyed	<1000	50		0.015		0.02		0.02		0.03		0.04	0.05

Dimension	Ø10		Ø12		Ø16		Ø20	
Infeed in mm	ae=1xD	ae=0.2xD	ae=1xD	ae=0.2xD	ae=1xD	ae=0.2xD	ae=1xD	ae=0.2xD
Application	ap=1xD	ap=2xD	ap=1xD	ap=2xD	ap=1xD	ap=2xD	ap=1xD	ap=2xD

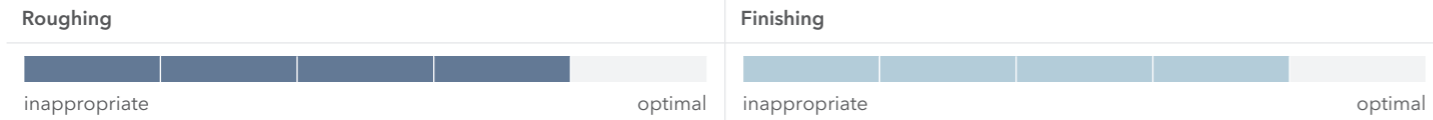
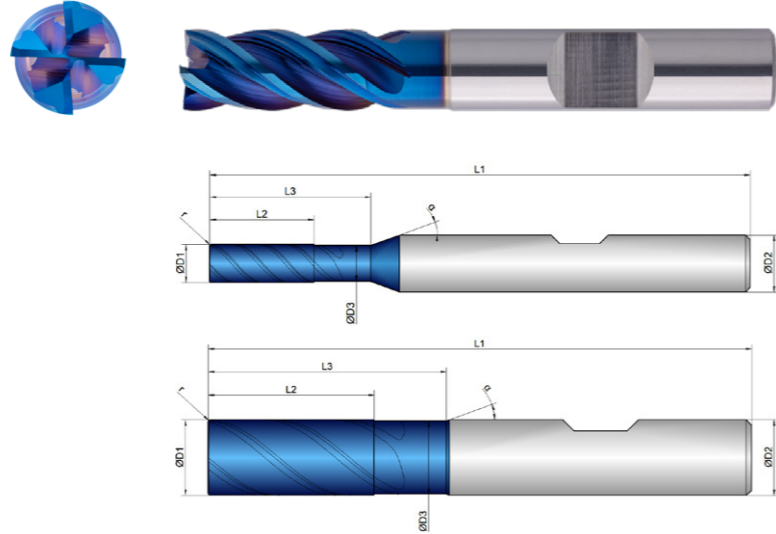
Material	Strength (N/mm ²)	Feed (mm/Z)	fz	fz	fz	fz	fz	fz	fz
M STAINLESS STEEL									
Vc (m/min)									
1.1	ferritic/martensitic	<850	110	0.055	0.07	0.065	0.08	0.07	0.09
2.1	austenitic	<650	100	0.05	0.065	0.06	0.075	0.065	0.085
2.2	austenitic	<750	90	0.045	0.06	0.055	0.07	0.06	0.08
3.1	DUPLEX STEEL super austenitic	<1100	75	0.04	0.055	0.05	0.065	0.055	0.075
P STEEL									
Vc (m/min)									
1.1-1.5	STEEL unalloyed	<1100	180	0.055	0.07	0.06	0.08	0.07	0.09
2.1-2.4	STEEL low alloyed	<1300	145	0.05	0.065	0.055	0.075	0.06	0.08
3.1-3.3	STEEL high alloyed	<1400	135	0.045	0.06	0.05	0.07	0.055	0.075
K CASTINGS									
Vc (m/min)									
1.1	grey cast iron	<1000	200	0.055	0.07	0.06	0.08	0.08	0.09
T TITANIUM									
Vc (m/min)									
2.1-2.3	pure/alloyed	<1000	50		0.06		0.07		0.075

NOTE | The values marked in turquoise are side applications!

Cooling	
Tolerance	e8
Coating	AlphaNox Navy X

Strategy	ETC	HPC	
Application			
Features	HB		

- Extra stable tool core with a slightly conical course
- Special unequal tooth pitch combined with variable helical pitch for smooth running
- Designed for maximum removal rate when milling with high radial depth of cut and in the full slot up to 1.5xD
- For process reliable ramping, helical immersion and diving (drilling) up to 1xD
- Innovative grinding of the flute back for constant, ideal cooling of the cutting edges and prevention of thermal shocks



EXM1-M01-0124	D1	D3	L2	L3	L1	D2	z	r	α
	mm	mm	mm	mm	mm	mm	#	mm	°
2	2.0	1.8	5.0	10.0	57.0	6.0	4	0.10	40
3	3.0	2.8	8.0	13.0	57.0	6.0	4	0.10	40
4	4.0	3.8	11.0	17.0	57.0	6.0	4	0.10	40
5	5.0	4.8	13.0	20.0	57.0	6.0	4	0.20	40
6	6.0	5.8	13.0	20.0	57.0	6.0	4	0.20	40
8	8.0	7.7	19.0	25.0	63.0	8.0	4	0.20	40
10	10.0	9.7	22.0	32.0	72.0	10.0	4	0.20	40
12	12.0	11.6	26.0	38.0	83.0	12.0	4	0.20	40
16	16.0	15.5	32.0	44.0	92.0	16.0	4	0.30	40
20	20.0	19.5	41.0	54.0	104.0	20.0	4	0.30	40



Download Catalog Pages (PDF)

Material	Strength (N/mm ²)	Feed (mm/Z)	Ø2		Ø3		Ø4		Ø5		Ø6		Ø8		
			fz	fz	fz	fz	fz	fz	fz	fz	fz	fz	fz	fz	
M STAINLESS STEEL															
Vc (m/min)															
1.1	ferritic/martensitic	<850	110	0.015	0.022	0.02	0.03	0.025	0.032	0.03	0.04	0.035	0.045	0.05	0.06
2.1	austenitic	<650	100	0.012	0.02	0.018	0.025	0.02	0.028	0.025	0.035	0.03	0.04	0.045	0.055
2.2	austenitic	<750	90	0.01	0.018	0.015	0.02	0.018	0.022	0.022	0.03	0.025	0.035	0.04	0.05
3.1	DUPLEX STEEL super austenitic	<1100	75	0.008	0.015	0.012	0.018	0.015	0.02	0.018	0.025	0.022	0.03	0.035	0.045
P STEEL															
Vc (m/min)															
1.1-1.5	unalloyed	<1100	180	0.015	0.022	0.02	0.025	0.02	0.025	0.03	0.035	0.04	0.045	0.05	0.06
2.1-2.4	low alloyed	<1300	145	0.012	0.018	0.015	0.02	0.015	0.02	0.025	0.03	0.035	0.04	0.045	0.055
3.1-3.3	high alloyed	<1400	135	0.01	0.015	0.012	0.018	0.012	0.018	0.022	0.028	0.032	0.038	0.042	0.052
K CASTINGS															
Vc (m/min)															
1.1	grey cast iron	<1000	200	0.015	0.022	0.02	0.025	0.02	0.025	0.03	0.035	0.04	0.045	0.05	0.06
T TITANIUM															
Vc (m/min)															
2.1-2.3	pure/alloyed	<1000	50		0.015		0.02		0.02		0.03		0.04		0.05

Material	Strength (N/mm ²)	Feed (mm/Z)	Ø10		Ø12		Ø16		Ø20		
			fz	fz	fz	fz	fz	fz	fz	fz	
M STAINLESS STEEL											
Vc (m/min)											
1.1	ferritic/martensitic	<850	110	0.055	0.07	0.065	0.08	0.07	0.09	0.09	0.11
2.1	austenitic	<650	100	0.05	0.065	0.06	0.075	0.065	0.085	0.08	0.1
2.2	austenitic	<750	90	0.045	0.06	0.055	0.07	0.06	0.08	0.07	0.09
3.1	DUPLEX STEEL super austenitic	<1100	75	0.04	0.055	0.05	0.065	0.055	0.075	0.06	0.08
P STEEL											
Vc (m/min)											
1.1-1.5	STEEL unalloyed	<1100	180	0.055	0.07	0.06	0.08	0.07	0.09	0.09	0.11
2.1-2.4	STEEL low alloyed	<1300	145	0.05	0.065	0.055	0.075	0.06	0.08	0.08	0.1
3.1-3.3	STEEL high alloyed	<1400	135	0.045	0.06	0.05	0.07	0.055	0.075	0.075	0.09
K CASTINGS											
Vc (m/min)											
1.1	grey cast iron	<1000	200	0.055	0.07	0.06	0.08	0.08	0.09	0.09	0.11
T TITANIUM											
Vc (m/min)											
2.1-2.3	pure/alloyed	<1000	50		0.06		0.07		0.075		0.09

NOTE | The values marked in turquoise are side applications!

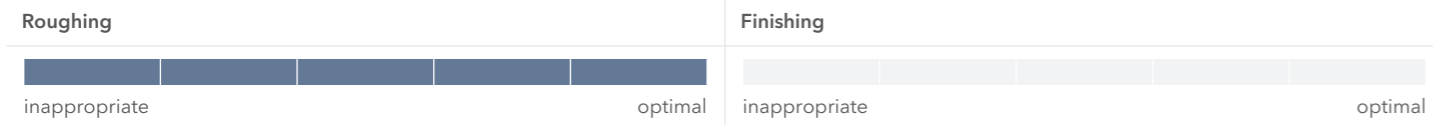
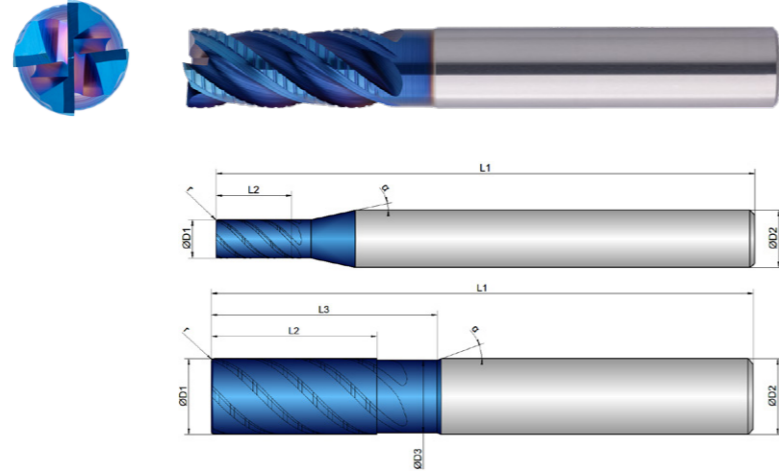
Cooling	
Tolerance	e8
Coating	AlphaNox Navy X

Strategy	ETC	HPC		
Application				
Features	HA	≠	2xD	



Download Catalog Pages (PDF)

- Extra stable tool core with a slightly conical shape
 - Optimized roughing teeth for soft cut and small chips
 - Special unequal tooth pitch paired with variable helical pitch
- For roughing, up to 2xD full slot
 - For process reliable, helical immersion
 - For high radial cutting depths
- Also ideally designed for trochoidal milling



EXM1-M02-0123	D1 mm ø	D3 mm ø	L2 mm	L3 mm	L1 mm	D2 mm ø	z #	r mm	α °
4	4.0	0.0	8.0	0.0	57.0	6.0	4	0.10	40
5	5.0	0.0	9.0	0.0	57.0	6.0	4	0.20	40
6	6.0	5.6	13.0	19.0	57.0	6.0	4	0.20	40
8	8.0	7.6	19.0	25.0	63.0	8.0	4	0.20	40
10	10.0	9.6	22.0	30.0	72.0	10.0	4	0.32	40
12	12.0	11.4	26.0	36.0	83.0	12.0	4	0.32	40
16	16.0	15.4	32.0	42.0	92.0	16.0	4	0.32	40
20	20.0	19.4	41.0	52.0	104.0	20.0	4	0.50	40

Dimension	Ø4		Ø5		Ø6		Ø8		Ø10		Ø12	
Infeed in mm	ae=1xD	ae=0.2xD	ae=1xD	ae=0.2xD	ae=1xD	ae=0.2xD	ae=1xD	ae=0.2xD	ae=1xD	ae=0.2xD	ae=1xD	ae=0.2xD
Application	ap=1xD	ap=2xD	ap=1xD	ap=2xD	ap=1xD	ap=2xD	ap=1xD	ap=2xD	ap=1xD	ap=2xD	ap=1xD	ap=2xD

Material	Strength (N/mm ²)	Feed (mm/Z)	fz	fz	fz	fz	fz	fz	fz	fz	fz	fz	fz	fz	
M STAINLESS STEEL			Vc (m/min)												
1.1	ferritic/martensitic	<850	100	0.02	0.028	0.025	0.035	0.03	0.04	0.045	0.055	0.05	0.065	0.055	0.07
2.1	austenitic	<650	90	0.018	0.025	0.02	0.03	0.025	0.035	0.04	0.05	0.045	0.06	0.05	0.065
2.2	austenitic	<750	80	0.015	0.02	0.018	0.025	0.02	0.03	0.035	0.045	0.04	0.055	0.045	0.06
3.1	DUPLEX STEEL super austenitic	<1100	70	0.012	0.015	0.015	0.02	0.015	0.025	0.03	0.04	0.035	0.05	0.04	0.055
P STEEL			Vc (m/min)												
1.1-1.5	unalloyed	<1100	180	0.018	0.022	0.025	0.03	0.035	0.04	0.045	0.055	0.05	0.065	0.055	0.075
2.1-2.4	low alloyed	<1300	145	0.012	0.018	0.02	0.025	0.03	0.035	0.04	0.05	0.045	0.06	0.05	0.07
3.1-3.3	high alloyed	<1400	135	0.01	0.015	0.015	0.02	0.028	0.032	0.038	0.048	0.04	0.055	0.045	0.065
K CASTINGS			Vc (m/min)												
1.1	grey cast iron	<1000	200	0.018	0.022	0.025	0.03	0.035	0.04	0.045	0.055	0.05	0.065	0.055	0.075
T TITANIUM			Vc (m/min)												
2.1-2.3	pure/alloyed	<1000	60	0.008	0.012	0.012	0.02	0.022	0.028	0.033	0.043	0.035	0.05	0.04	0.06

Dimension	Ø16		Ø20	
Infeed in mm	ae=1xD	ae=0.2xD	ae=1xD	ae=0.2xD
Application	ap=1xD	ap=2xD	ap=1xD	ap=2xD

Material	Strength (N/mm ²)	Feed (mm/Z)	fz	fz	fz	fz	
M STAINLESS STEEL			Vc (m/min)				
1.1	ferritic/martensitic	<850	100	0.06	0.08	0.08	0.1
2.1	austenitic	<650	90	0.055	0.075	0.07	0.09
2.2	austenitic	<750	80	0.05	0.07	0.06	0.08
3.1	DUPLEX STEEL super austenitic	<1100	70	0.045	0.065	0.05	0.07
P STEEL			Vc (m/min)				
1.1-1.5	STEEL unalloyed	<1100	180	0.07	0.085	0.08	0.1
2.1-2.4	STEEL low alloyed	<1300	145	0.065	0.075	0.07	0.09
3.1-3.3	STEEL high alloyed	<1400	135	0.06	0.07	0.065	0.08
K CASTINGS			Vc (m/min)				
1.1	grey cast iron	<1000	200	0.07	0.085	0.08	0.1
T TITANIUM			Vc (m/min)				
2.1-2.3	pure/alloyed	<1000	60	0.05	0.07	0.06	0.08

NOTE | The values marked in turquoise are side applications!

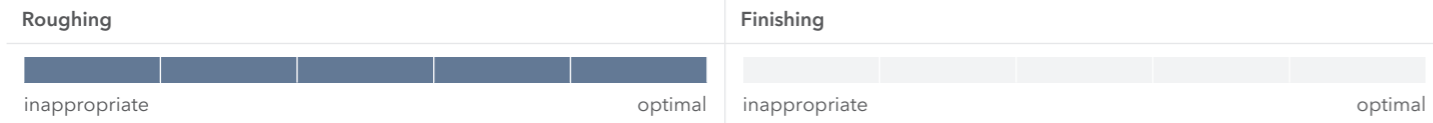
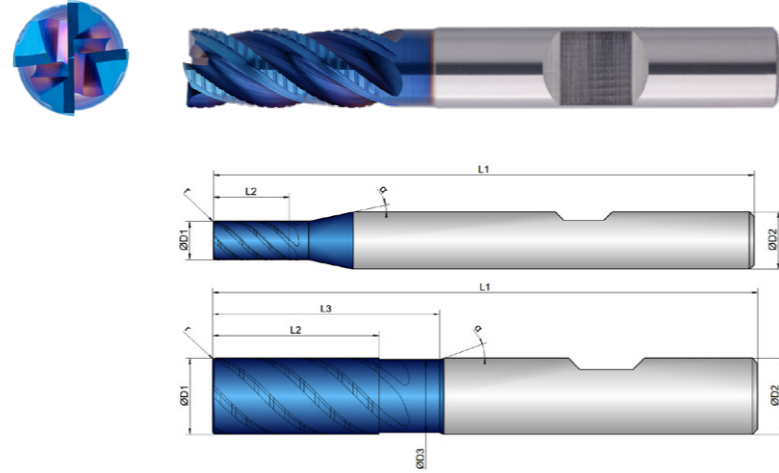
Cooling	
Tolerance	e8
Coating	AlphaNox Navy X

Strategy	ETC	HPC				
Application						
Features	HB	≠	2xD			



Download Catalog Pages (PDF)

- Extra stable tool core with a slightly conical shape
 - Optimized roughing teeth for soft cut and small chips
 - Special unequal tooth pitch paired with variable helical pitch
- For roughing, up to 2xD full slot
 - For process reliable, helical immersion
 - For high radial cutting depths
- Also ideally designed for trochoidal milling



EXM1-M02-0124	D1	D3	L2	L3	L1	D2	z	r	α	
	mm ø	mm ø	mm	mm	mm	mm ø	#	mm	°	°
4	4.0	0.0	8.0	0.0	57.0	6.0	4	0.10	40	12
5	5.0	0.0	9.0	0.0	57.0	6.0	4	0.20	40	12
6	6.0	5.6	13.0	19.0	57.0	6.0	4	0.20	40	20
8	8.0	7.6	19.0	25.0	63.0	8.0	4	0.20	40	20
10	10.0	9.6	22.0	30.0	72.0	10.0	4	0.32	40	20
12	12.0	11.4	26.0	36.0	83.0	12.0	4	0.32	40	20
16	16.0	15.4	32.0	42.0	92.0	16.0	4	0.32	40	20
20	20.0	19.4	41.0	52.0	104.0	20.0	4	0.50	40	20

Dimension	Ø4		Ø5		Ø6		Ø8		Ø10		Ø12	
Infeed in mm	ae=1xD	ae=0.2xD	ae=1xD	ae=0.2xD	ae=1xD	ae=0.2xD	ae=1xD	ae=0.2xD	ae=1xD	ae=0.2xD	ae=1xD	ae=0.2xD
Application	ap=1xD	ap=2xD	ap=1xD	ap=2xD	ap=1xD	ap=2xD	ap=1xD	ap=2xD	ap=1xD	ap=2xD	ap=1xD	ap=2xD

Material	Strength (N/mm ²)	Feed (mm/Z)	fz	fz	fz	fz	fz	fz	fz	fz	fz	fz	fz	fz	
M STAINLESS STEEL															
Vc (m/min)															
1.1	ferritic/martensitic	<850	100	0.02	0.028	0.025	0.035	0.03	0.04	0.045	0.055	0.05	0.065	0.055	0.07
2.1	austenitic	<650	90	0.018	0.025	0.02	0.03	0.025	0.035	0.04	0.05	0.045	0.06	0.05	0.065
2.2	austenitic	<750	80	0.015	0.02	0.018	0.025	0.02	0.03	0.035	0.045	0.04	0.055	0.045	0.06
3.1	DUPLEX STEEL super austenitic	<1100	70	0.012	0.015	0.015	0.02	0.015	0.025	0.03	0.04	0.035	0.05	0.04	0.055
P STEEL															
Vc (m/min)															
1.1-1.5	unalloyed	<1100	180	0.018	0.022	0.025	0.03	0.035	0.04	0.045	0.055	0.05	0.065	0.055	0.075
2.1-2.4	low alloyed	<1300	145	0.012	0.018	0.02	0.025	0.03	0.035	0.04	0.05	0.045	0.06	0.05	0.07
3.1-3.3	high alloyed	<1400	135	0.01	0.015	0.015	0.02	0.028	0.032	0.038	0.048	0.04	0.055	0.045	0.065
K CASTINGS															
Vc (m/min)															
1.1	grey cast iron	<1000	200	0.018	0.022	0.025	0.03	0.035	0.04	0.045	0.055	0.05	0.065	0.055	0.075
T TITANIUM															
Vc (m/min)															
2.1-2.3	pure/alloyed	<1000	60	0.008	0.012	0.012	0.02	0.022	0.028	0.033	0.043	0.035	0.05	0.04	0.06

Dimension	Ø16		Ø20	
Infeed in mm	ae=1xD	ae=0.2xD	ae=1xD	ae=0.2xD
Application	ap=1xD	ap=2xD	ap=1xD	ap=2xD

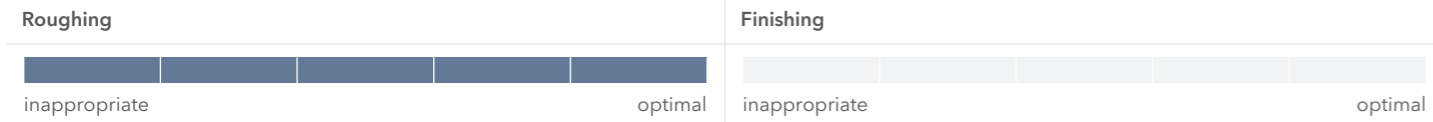
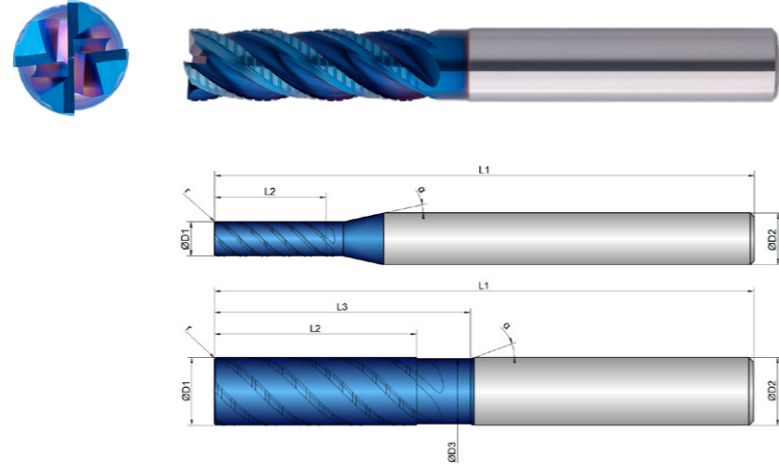
Material	Strength (N/mm ²)	Feed (mm/Z)	fz	fz	fz	fz	
M STAINLESS STEEL							
Vc (m/min)							
1.1	ferritic/martensitic	<850	100	0.06	0.08	0.08	0.1
2.1	austenitic	<650	90	0.055	0.075	0.07	0.09
2.2	austenitic	<750	80	0.05	0.07	0.06	0.08
3.1	DUPLEX STEEL super austenitic	<1100	70	0.045	0.065	0.05	0.07
P STEEL							
Vc (m/min)							
1.1-1.5	STEEL unalloyed	<1100	180	0.07	0.085	0.08	0.1
2.1-2.4	STEEL low alloyed	<1300	145	0.065	0.075	0.07	0.09
3.1-3.3	STEEL high alloyed	<1400	135	0.06	0.07	0.065	0.08
K CASTINGS							
Vc (m/min)							
1.1	grey cast iron	<1000	200	0.07	0.085	0.08	0.1
T TITANIUM							
Vc (m/min)							
2.1-2.3	pure/alloyed	<1000	60	0.05	0.07	0.06	0.08

NOTE | The values marked in turquoise are side applications!

Cooling	
Tolerance	e8
Coating	AlphaNox Navy X

Strategy	ETC	HPC				
Application						
Features	HA	≠	3xD			

- Extra stable tool core with a slightly conical shape
 - Optimized roughing teeth for soft cut and small chips
 - Special unequal tooth pitch paired with variable helical pitch
- For roughing, up to 2xD full slot
 - For process reliable, helical immersion
 - For high radial cutting depths
- Also ideally designed for trochoidal milling



EXM1-M02-0153	D1 mm ∅	D3 mm ∅	L2 mm	L3 mm	L1 mm	D2 mm ∅	z #	r mm	∅	α °
4	4.0	0.0	13.0	0.0	67.0	6.0	4	0.10	40	12
5	5.0	0.0	16.0	0.0	67.0	6.0	4	0.20	40	12
6	6.0	5.6	18.0	24.0	67.0	6.0	4	0.20	40	20
8	8.0	7.6	24.0	30.0	70.0	8.0	4	0.20	40	20
10	10.0	9.6	30.0	38.0	80.0	10.0	4	0.32	40	20
12	12.0	11.4	36.0	46.0	93.0	12.0	4	0.32	40	20
16	16.0	15.4	48.0	58.0	110.0	16.0	4	0.32	40	20
20	20.0	19.4	60.0	74.0	125.0	20.0	4	0.50	40	20



Download Catalog Pages (PDF)

Material	Strength (N/mm ²)	Feed (mm/Z)	04		05		06		08		010		012		
			fz	fz	fz	fz	fz	fz	fz	fz	fz	fz	fz	fz	
M STAINLESS STEEL			Vc (m/min)												
1.1	ferritic/martensitic	<850	100	0.018	0.025	0.022	0.03	0.022	0.035	0.035	0.05	0.045	0.06	0.05	0.065
2.1	austenitic	<650	90	0.015	0.022	0.018	0.025	0.018	0.03	0.03	0.045	0.04	0.055	0.045	0.06
2.2	austenitic	<750	80	0.012	0.02	0.015	0.02	0.015	0.025	0.025	0.04	0.035	0.05	0.04	0.055
3.1	DUPLEX STEEL super austenitic	<1100	70	0.01	0.015	0.012	0.018	0.012	0.02	0.02	0.035	0.03	0.045	0.035	0.05
P STEEL			Vc (m/min)												
1.1-1.5	unalloyed	<1100	180	0.015	0.02	0.022	0.03	0.03	0.035	0.04	0.05	0.045	0.06	0.05	0.07
2.1-2.4	low alloyed	<1300	145	0.01	0.015	0.018	0.025	0.025	0.03	0.035	0.045	0.04	0.055	0.045	0.065
3.1-3.3	high alloyed	<1400	135	0.008	0.012	0.015	0.022	0.022	0.028	0.032	0.042	0.038	0.05	0.042	0.06
K CASTINGS			Vc (m/min)												
1.1	grey cast iron	<1000	200	0.015	0.02	0.022	0.03	0.03	0.035	0.04	0.05	0.045	0.06	0.05	0.07
T TITANIUM			Vc (m/min)												
2.1-2.3	pure/alloyed	<1000	60	0.006	0.01	0.01	0.018	0.018	0.025	0.03	0.04	0.033	0.045	0.037	0.055

Material	Strength (N/mm ²)	Feed (mm/Z)	016		020		
			fz	fz	fz	fz	
M STAINLESS STEEL			Vc (m/min)				
1.1	ferritic/martensitic	<850	100	0.055	0.075	0.075	0.095
2.1	austenitic	<650	90	0.05	0.07	0.065	0.085
2.2	austenitic	<750	80	0.045	0.065	0.055	0.075
3.1	DUPLEX STEEL super austenitic	<1100	70	0.04	0.06	0.045	0.065
P STEEL			Vc (m/min)				
1.1-1.5	STEEL unalloyed	<1100	180	0.065	0.08	0.075	0.09
2.1-2.4	STEEL low alloyed	<1300	145	0.06	0.07	0.065	0.08
3.1-3.3	STEEL high alloyed	<1400	135	0.055	0.065	0.06	0.075
K CASTINGS			Vc (m/min)				
1.1	grey cast iron	<1000	200	0.065	0.08	0.075	0.09
T TITANIUM			Vc (m/min)				
2.1-2.3	pure/alloyed	<1000	60	0.045	0.065	0.055	0.075

NOTE | The values marked in turquoise are side applications!

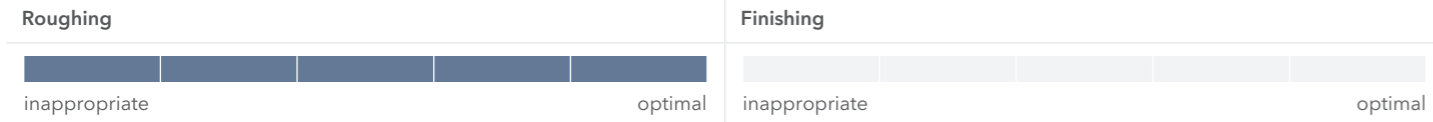
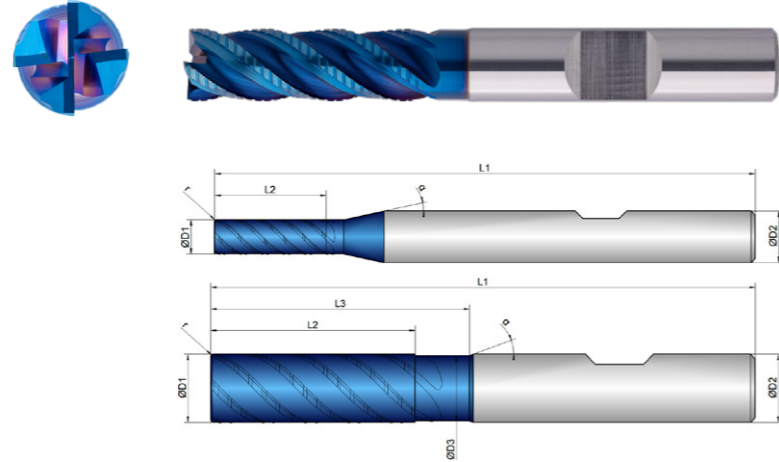
Cooling	
Tolerance	e8
Coating	AlphaNox Navy X

Strategy	ETC	HPC		
Application				
Features	HB	≠	3xD	



Download Catalog Pages (PDF)

- Extra stable tool core with a slightly conical shape
 - Optimized roughing teeth for soft cut and small chips
 - Special unequal tooth pitch paired with variable helical pitch
- For roughing, up to 2xD full slot
 - For process reliable, helical immersion
 - For high radial cutting depths
- Also ideally designed for trochoidal milling



EXM1-M02-0154	D1 mm ∅	D3 mm ∅	L2 mm	L3 mm	L1 mm	D2 mm ∅	z #	r mm	α °
4	4.0	0.0	13.0	0.0	67.0	6.0	4	0.10	40
5	5.0	0.0	16.0	0.0	67.0	6.0	4	0.20	40
6	6.0	5.6	18.0	24.0	67.0	6.0	4	0.20	40
8	8.0	7.6	24.0	30.0	70.0	8.0	4	0.20	40
10	10.0	9.6	30.0	38.0	80.0	10.0	4	0.32	40
12	12.0	11.4	36.0	46.0	93.0	12.0	4	0.32	40
16	16.0	15.4	48.0	58.0	110.0	16.0	4	0.32	40
20	20.0	19.4	60.0	74.0	125.0	20.0	4	0.50	40

Dimension	Ø4		Ø5		Ø6		Ø8		Ø10		Ø12	
Infeed in mm	ae=1xD	ae=0.2xD	ae=1xD	ae=0.2xD	ae=1xD	ae=0.2xD	ae=1xD	ae=0.2xD	ae=1xD	ae=0.2xD	ae=1xD	ae=0.2xD
Application												

Material	Strength (N/mm ²)	Feed (mm/Z)	fz	fz	fz	fz	fz	fz	fz	fz	fz	fz	fz	
M STAINLESS STEEL														
Vc (m/min)														
1.1	ferritic/martensitic	<850	100	0.018	0.025	0.022	0.03	0.022	0.035	0.035	0.05	0.045	0.06	0.05
2.1	austenitic	<650	90	0.015	0.022	0.018	0.025	0.018	0.03	0.03	0.045	0.04	0.055	0.045
2.2	austenitic	<750	80	0.012	0.02	0.015	0.02	0.015	0.025	0.025	0.04	0.035	0.05	0.04
3.1	DUPLEX STEEL super austenitic	<1100	70	0.01	0.015	0.012	0.018	0.012	0.02	0.02	0.035	0.03	0.045	0.035
P STEEL														
Vc (m/min)														
1.1-1.5	unalloyed	<1100	180	0.015	0.02	0.022	0.03	0.03	0.035	0.04	0.05	0.045	0.06	0.05
2.1-2.4	low alloyed	<1300	145	0.01	0.015	0.018	0.025	0.025	0.03	0.035	0.045	0.04	0.055	0.045
3.1-3.3	high alloyed	<1400	135	0.008	0.012	0.015	0.022	0.022	0.028	0.032	0.042	0.038	0.05	0.042
K CASTINGS														
Vc (m/min)														
1.1	grey cast iron	<1000	200	0.015	0.02	0.022	0.03	0.03	0.035	0.04	0.05	0.045	0.06	0.05
T TITANIUM														
Vc (m/min)														
2.1-2.3	pure/alloyed	<1000	60	0.006	0.01	0.01	0.018	0.018	0.025	0.03	0.04	0.033	0.045	0.037

Dimension	Ø16		Ø20	
Infeed in mm	ae=1xD	ae=0.2xD	ae=1xD	ae=0.2xD
Application				

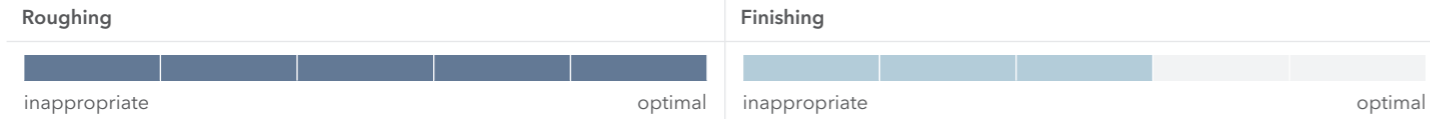
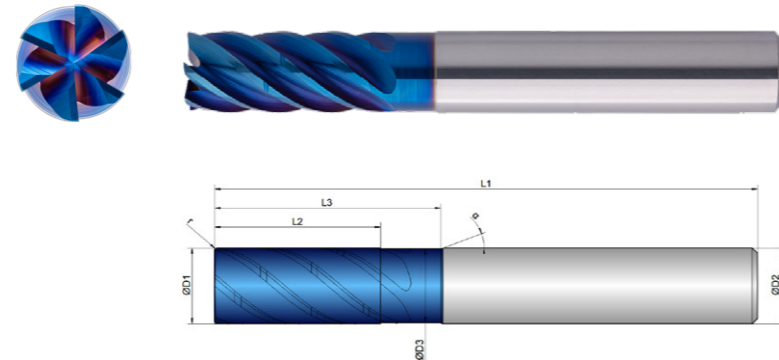
Material	Strength (N/mm ²)	Feed (mm/Z)	fz	fz	fz	fz
M STAINLESS STEEL						
Vc (m/min)						
1.1	ferritic/martensitic	<850	100	0.055	0.075	0.075
2.1	austenitic	<650	90	0.05	0.07	0.065
2.2	austenitic	<750	80	0.045	0.065	0.055
3.1	DUPLEX STEEL super austenitic	<1100	70	0.04	0.06	0.045
P STEEL						
Vc (m/min)						
1.1-1.5	STEEL unalloyed	<1100	180	0.065	0.08	0.075
2.1-2.4	STEEL low alloyed	<1300	145	0.06	0.07	0.065
3.1-3.3	STEEL high alloyed	<1400	135	0.055	0.065	0.06
K CASTINGS						
Vc (m/min)						
1.1	grey cast iron	<1000	200	0.065	0.08	0.075
T TITANIUM						
Vc (m/min)						
2.1-2.3	pure/alloyed	<1000	60	0.045	0.065	0.055

NOTE | The values marked in turquoise are side applications!

Cooling	
Tolerance	e8
Coating	AlphaNox Navy X

Strategy	ETC					
Application						
Features	HA	≠		2xD		

- 6 cutting edges for best performance and an excellent material removal rate
- Optimized cutting edges and chip chambers to effectively prevent built-up edges and chip stuck
- For roughing and finishing under ETC conditions
- For process reliable, helical immersion
- Ideal chip evacuation, even with high feed rates and big radial depth of cutting



	D1	D3	L2	L3	L1	D2	z	r	α
EXM1-M03-0103									
	mm ∅	mm ∅	mm	mm	mm	mm ∅	#	mm	°
6	6.0	5.8	15.0	19.0	57.0	6.0	6	0.15	40
8	8.0	7.8	21.0	25.0	63.0	8.0	6	0.20	40
10	10.0	9.8	24.0	30.0	72.0	10.0	6	0.20	40
12	12.0	11.8	29.0	36.0	83.0	12.0	6	0.20	40
16	16.0	15.8	35.0	42.0	92.0	16.0	6	0.30	40
20	20.0	19.8	44.0	52.0	104.0	20.0	6	0.30	40



Download Catalog Pages (PDF)

Material	Strength (N/mm ²)	Feed (mm/Z)						
		fz	fz	fz	fz	fz	fz	
M STAINLESS STEEL		Vc (m/min)						
1.1	ferritic/martensitic <850	190	0.075	0.09	0.11	0.13	0.15	0.18
2.1	austenitic <650	170	0.065	0.08	0.09	0.11	0.13	0.16
2.2	austenitic <750	140	0.06	0.07	0.08	0.1	0.12	0.15
3.1	DUPLEX STEEL super austenitic <1100	120	0.045	0.05	0.06	0.08	0.1	0.13
P STEEL		Vc (m/min)						
1.1-1.5	unalloyed <1100	240	0.06	0.08	0.09	0.11	0.14	0.16
2.1-2.4	low alloyed <1300	180	0.55	0.07	0.085	0.1	0.13	0.14
3.1-3.3	high alloyed <1400	165	0.05	0.065	0.08	0.09	0.12	0.13
K CASTINGS		Vc (m/min)						
1.1	grey cast iron <1000	220	0.06	0.08	0.09	0.11	0.14	0.16
T TITANIUM		Vc (m/min)						
2.1-2.3	pure/alloyed <1000	100	0.05	0.065	0.08	0.09	0.12	0.13

NOTE | The values marked in turquoise are side applications! We recommend the use of HB shank and side lock arbor. (EXM1-M03-0104) Values for ETC-milling; please reduce Vc and fz by 20% using side milling.

STILL CAN'T FIND A SUITABLE MILLING CUTTER?

No problem – simply customize an existing tool. Using our configurator for special milling cutters, you can customize existing tools to your needs in an instant or create your own tools based on predefined types.

WE WILL RESPOND TO ALL REQUESTS SUBMITTED VIA THE CONFIGURATOR WITHIN ONE WORKING DAY AT THE LATEST



Cooling	
Tolerance	e8
Coating	AlphaNox Navy X

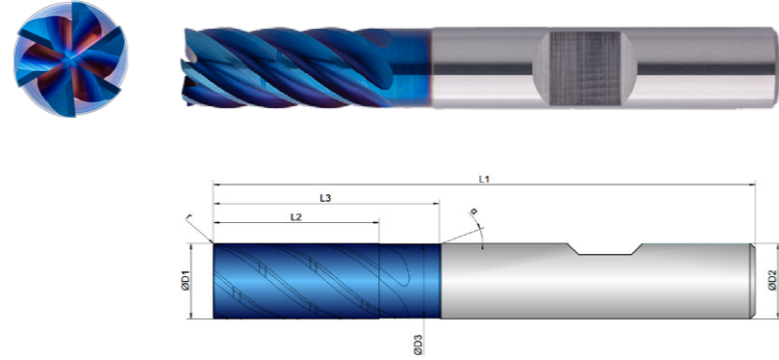
Strategy	ETC		
Application			
Features	HB	\neq	2xD



Download Catalog Pages (PDF)

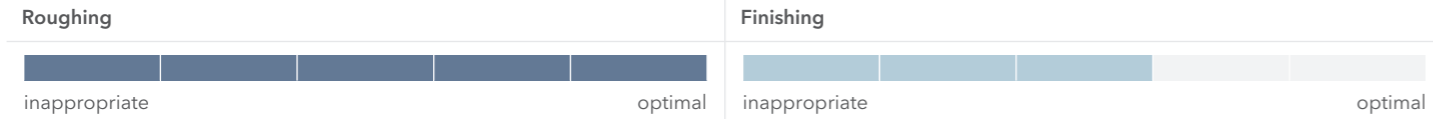
Dimension	Ø6	Ø8	Ø10	Ø12	Ø16	Ø20
Infeed in mm	ae= 0.1xD ap= Lmax	ae= 0.1xD ap= Lmax	ae= 0.1xD ap= Lmax	ae= 0.1xD ap= Lmax	ae= 0.1xD ap= Lmax	ae= 0.1xD ap= Lmax
Application						

- 6 cutting edges for best performance and an excellent material removal rate
- Optimized cutting edges and chip chambers to effectively prevent built-up edges and chip stuck



- For roughing and finishing under ETC conditions
- For process reliable, helical immersion

- Ideal chip evacuation, even with high feed rates and big radial depth of cutting



EXM1-M03-0104	D1	D3	L2	L3	L1	D2	z	r		α
	mm Ø	mm Ø	mm	mm	mm	mm Ø	#	mm		
6	6.0	5.8	15.0	19.0	57.0	6.0	6	0.15	40	20
8	8.0	7.8	21.0	25.0	63.0	8.0	6	0.20	40	20
10	10.0	9.8	24.0	30.0	72.0	10.0	6	0.20	40	20
12	12.0	11.8	29.0	36.0	83.0	12.0	6	0.20	40	20
16	16.0	15.8	35.0	42.0	92.0	16.0	6	0.30	40	20
20	20.0	19.8	44.0	52.0	104.0	20.0	6	0.30	40	20

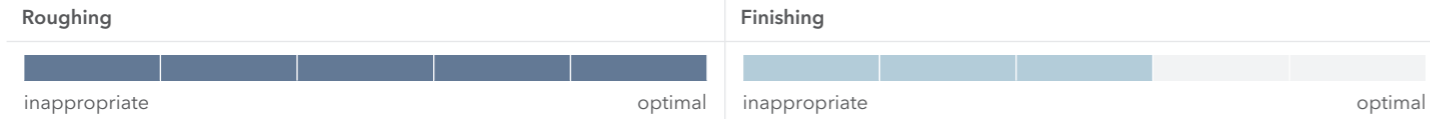
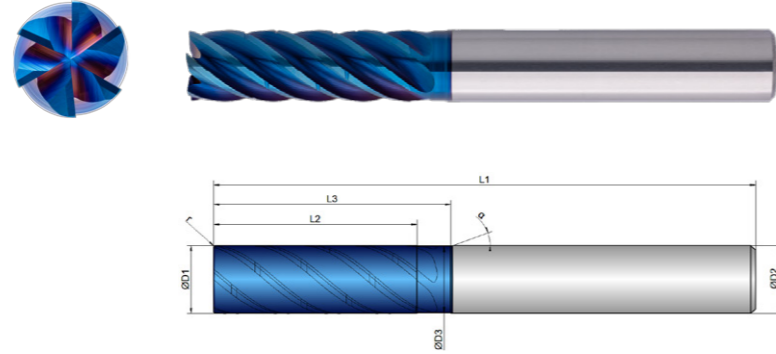
Material	Strength (N/mm ²)	Feed (mm/Z)	Strength					
			fz	fz	fz	fz	fz	fz
M STAINLESS STEEL		Vc (m/min)						
1.1 ferritic/martensitic	<850	190	0.075	0.09	0.11	0.13	0.15	0.18
2.1 austenitic	<650	170	0.065	0.08	0.09	0.11	0.13	0.16
2.2 austenitic	<750	140	0.06	0.07	0.08	0.1	0.12	0.15
3.1 DUPLEX STEEL super austenitic	<1100	120	0.045	0.05	0.06	0.08	0.1	0.13
P STEEL		Vc (m/min)						
1.1-1.5 unalloyed	<1100	240	0.06	0.08	0.09	0.11	0.14	0.16
2.1-2.4 low alloyed	<1300	180	0.55	0.07	0.085	0.1	0.13	0.14
3.1-3.3 high alloyed	<1400	165	0.05	0.065	0.08	0.09	0.12	0.13
K CASTINGS		Vc (m/min)						
1.1 grey cast iron	<1000	220	0.06	0.08	0.09	0.11	0.14	0.16
T TITANIUM		Vc (m/min)						
2.1-2.3 pure/alloyed	<1000	100	0.05	0.065	0.08	0.09	0.12	0.13

NOTE | The values marked in turquoise are side applications!
Values for ETC-milling; please reduce Vc and fz by 20% using side milling.

Cooling	
Tolerance	e8
Coating	AlphaNox Navy X

Strategy	ETC		
Application			
Features	HA	\neq	3xD

- 6 cutting edges for best performance and an excellent material removal rate
- Optimized cutting edges and chip chambers to effectively prevent built-up edges and chip stuck
- For roughing and finishing under ETC conditions
- For process reliable, helical immersion
- Ideal chip evacuation, even with high feed rates and big radial depth of cutting



EXM1-M03-0113	D1	D3	L2	L3	L1	D2	z	r	α
	mm \varnothing	mm \varnothing	mm	mm	mm	mm \varnothing	#	mm	$^\circ$
6	6.0	5.8	20.0	25.0	63.0	6.0	6	0.15	40
8	8.0	7.8	26.0	30.0	70.0	8.0	6	0.20	40
10	10.0	9.8	32.0	36.0	80.0	10.0	6	0.20	40
12	12.0	11.8	39.0	45.0	93.0	12.0	6	0.20	40
16	16.0	15.8	51.0	55.0	110.0	16.0	6	0.30	40
20	20.0	19.8	63.0	70.0	125.0	20.0	6	0.30	40



Download Catalog Pages (PDF)

Dimension	$\varnothing 6$	$\varnothing 8$	$\varnothing 10$	$\varnothing 12$	$\varnothing 16$	$\varnothing 20$
Infeed in mm	ae= 0.07xD ap= Lmax	ae= 0.07xD ap= Lmax	ae= 0.07xD ap= Lmax	ae= 0.07xD ap= Lmax	ae= 0.07xD ap= Lmax	ae= 0.07xD ap= Lmax
Application						

Material	Strength (N/mm ²)	Feed (mm/Z)	fz	fz	fz	fz	fz	fz
M STAINLESS STEEL		Vc (m/min)						
1.1 ferritic/martensitic	<850	190	0.075	0.09	0.11	0.13	0.15	0.18
2.1 austenitic	<650	170	0.065	0.08	0.09	0.11	0.13	0.16
2.2 austenitic	<750	140	0.06	0.07	0.08	0.1	0.12	0.15
3.1 DUPLEX STEEL super austenitic	<1100	120	0.045	0.05	0.06	0.08	0.1	0.13
P STEEL		Vc (m/min)						
1.1-1.5 unalloyed	<1100	240	0.06	0.08	0.09	0.11	0.14	0.16
2.1-2.4 low alloyed	<1300	180	0.55	0.07	0.085	0.1	0.13	0.14
3.1-3.3 high alloyed	<1400	165	0.05	0.065	0.08	0.09	0.12	0.13
K CASTINGS		Vc (m/min)						
1.1 grey cast iron	<1000	220	0.06	0.08	0.09	0.11	0.14	0.16
T TITANIUM		Vc (m/min)						
2.1-2.3 pure/alloyed	<1000	100	0.05	0.065	0.08	0.09	0.12	0.13

NOTE | The values marked in turquoise are side applications! We recommend the use of HB shank and side lock arbor. (EXM1-M03-0114) Values for ETC-milling; please reduce Vc and fz by 20% using side milling.

STILL CAN'T FIND A SUITABLE MILLING CUTTER?

No problem – simply customize an existing tool. Using our configurator for special milling cutters, you can customize existing tools to your needs in an instant or create your own tools based on predefined types.

WE WILL RESPOND TO ALL REQUESTS SUBMITTED VIA THE CONFIGURATOR WITHIN ONE WORKING DAY AT THE LATEST



Cooling	
Tolerance	e8
Coating	AlphaNox Navy X

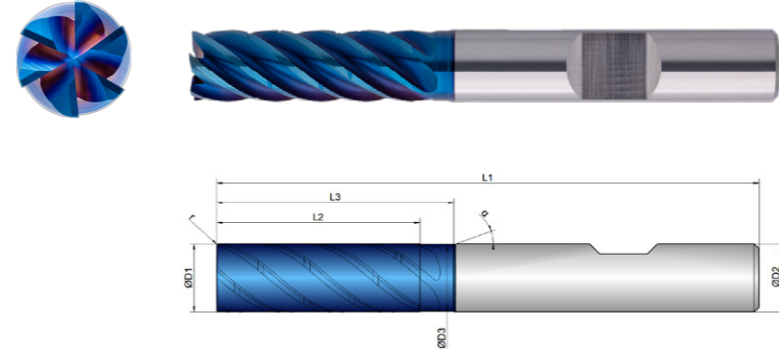
Strategy	ETC		
Application			
Features	HB	\neq	3xD



Download Catalog Pages (PDF)

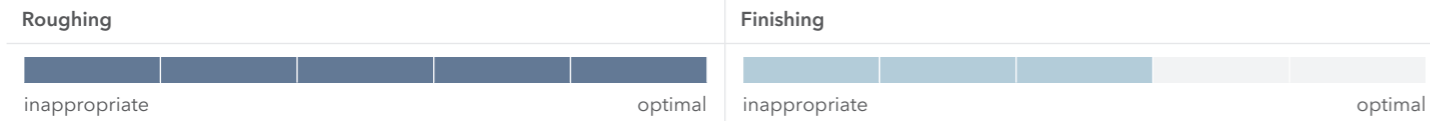
Dimension	Ø6	Ø8	Ø10	Ø12	Ø16	Ø20
Infeed in mm	ae= 0.07xD ap= Lmax	ae= 0.07xD ap= Lmax	ae= 0.07xD ap= Lmax	ae= 0.07xD ap= Lmax	ae= 0.07xD ap= Lmax	ae= 0.07xD ap= Lmax
Application						

- 6 cutting edges for best performance and an excellent material removal rate
- Optimized cutting edges and chip chambers to effectively prevent built-up edges and chip stuck



- For roughing and finishing under ETC conditions
- For process reliable, helical immersion

- Ideal chip evacuation, even with high feed rates and big radial depth of cutting



EXM1-M03-0114	D1	D3	L2	L3	L1	D2	z	r		α
	mm Ø	mm Ø	mm	mm	mm	mm Ø	#	mm		
6	6.0	5.8	20.0	25.0	63.0	6.0	6	0.15	40	20
8	8.0	7.8	26.0	30.0	70.0	8.0	6	0.20	40	20
10	10.0	9.8	32.0	36.0	80.0	10.0	6	0.20	40	20
12	12.0	11.8	39.0	45.0	93.0	12.0	6	0.20	40	20
16	16.0	15.8	51.0	55.0	110.0	16.0	6	0.30	40	20
20	20.0	19.8	63.0	70.0	125.0	20.0	6	0.30	40	20

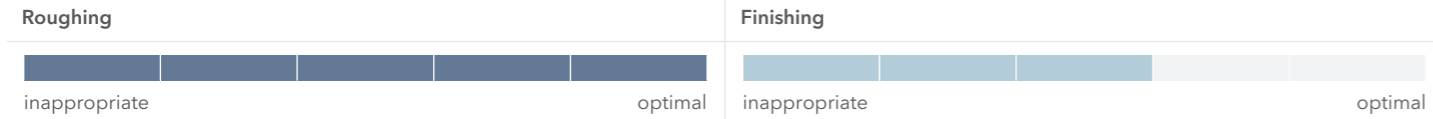
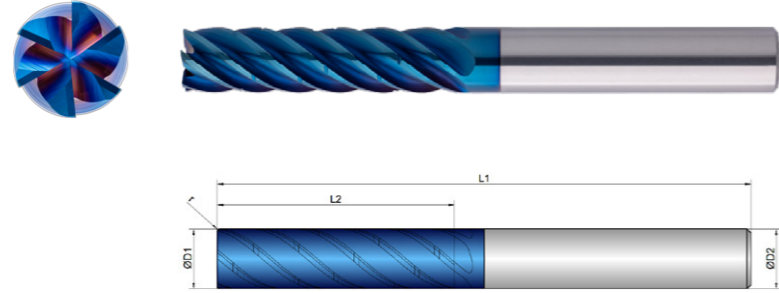
Material	Strength (N/mm ²)	Feed (mm/Z)	Strength (N/mm ²)					
			fz	fz	fz	fz	fz	fz
M STAINLESS STEEL		Vc (m/min)						
1.1 ferritic/martensitic	<850	190	0.075	0.09	0.11	0.13	0.15	0.18
2.1 austenitic	<650	170	0.065	0.08	0.09	0.11	0.13	0.16
2.2 austenitic	<750	140	0.06	0.07	0.08	0.1	0.12	0.15
3.1 DUPLEX STEEL super austenitic	<1100	120	0.045	0.05	0.06	0.08	0.1	0.13
P STEEL		Vc (m/min)						
1.1-1.5 unalloyed	<1100	240	0.06	0.08	0.09	0.11	0.14	0.16
2.1-2.4 low alloyed	<1300	180	0.55	0.07	0.085	0.1	0.13	0.14
3.1-3.3 high alloyed	<1400	165	0.05	0.065	0.08	0.09	0.12	0.13
K CASTINGS		Vc (m/min)						
1.1 grey cast iron	<1000	220	0.06	0.08	0.09	0.11	0.14	0.16
T TITANIUM		Vc (m/min)						
2.1-2.3 pure/alloyed	<1000	100	0.05	0.065	0.08	0.09	0.12	0.13

NOTE | The values marked in turquoise are side applications!
Values for ETC-milling; please reduce Vc and fz by 20% using side milling.

Cooling	
Tolerance	e8
Coating	AlphaNox Navy X

Strategy	ETC						
Application							
Features	HA	≠					

- 6 cutting edges for best performance and an excellent material removal rate
- Optimized cutting edges and chip chambers to effectively prevent built-up edges and chip stuck
- For roughing and finishing under ETC conditions
- For process reliable, helical immersion
- Ideal chip evacuation, even with high feed rates and big radial depth of cutting



EXM1-M03-0123	D1 mm ∅	L2 mm	L1 mm	D2 mm ∅	z #	r mm	 °
6	6.0	26.0	67.0	6.0	6	0.15	40
8	8.0	34.0	75.0	8.0	6	0.20	40
10	10.0	42.0	90.0	10.0	6	0.20	40
12	12.0	51.0	100.0	12.0	6	0.20	40
16	16.0	67.0	125.0	16.0	6	0.30	40
20	20.0	83.0	150.0	20.0	6	0.30	40



Download Catalog Pages (PDF)

Dimension	∅6	∅8	∅10	∅12	∅16	∅20
Infeed in mm	ae=0.05xD ap=Lmax	ae=0.05xD ap=Lmax	ae=0.05xD ap=Lmax	ae=0.05xD ap=Lmax	ae=0.05xD ap=Lmax	ae=0.05xD ap=Lmax
Application						

Material	Strength (N/mm ²)	Feed (mm/Z)	fz	fz	fz	fz	fz	fz	
M STAINLESS STEEL		Vc (m/min)							
1.1	ferritic/martensitic	<850	190	0.065	0.08	0.1	0.12	0.14	0.16
2.1	austenitic	<650	170	0.055	0.07	0.08	0.1	0.12	0.14
2.2	austenitic	<750	140	0.045	0.06	0.07	0.09	0.11	0.13
3.1	DUPLEX STEEL super austenitic	<1100	120	0.04	0.045	0.05	0.07	0.09	0.11
P STEEL		Vc (m/min)							
1.1-1.5	unalloyed	<1100	240	0.05	0.07	0.08	0.1	0.13	0.15
2.1-2.4	low alloyed	<1300	180	0.045	0.06	0.075	0.09	0.12	0.13
3.1-3.3	high alloyed	<1400	165	0.04	0.055	0.07	0.08	0.11	0.12
K CASTINGS		Vc (m/min)							
1.1	grey cast iron	<1000	220	0.05	0.07	0.08	0.1	0.13	0.15
T TITANIUM		Vc (m/min)							
2.1-2.3	pure/alloyed	<1000	100	0.04	0.055	0.07	0.08	0.11	0.12

NOTE | The values marked in turquoise are side applications! We recommend the use of HB shank and side lock arbor. (EXM1-M03-0124) Values for ETC-milling; please reduce Vc and fz by 20% using side milling.

STILL CAN'T FIND A SUITABLE MILLING CUTTER?

No problem - simply customize an existing tool. Using our configurator for special milling cutters, you can customize existing tools to your needs in an instant or create your own tools based on predefined types.

WE WILL RESPOND TO ALL REQUESTS SUBMITTED VIA THE CONFIGURATOR WITHIN ONE WORKING DAY AT THE LATEST



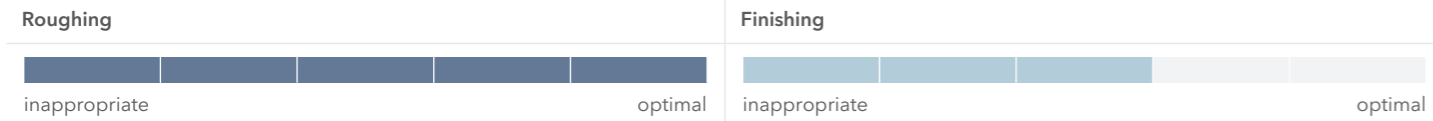
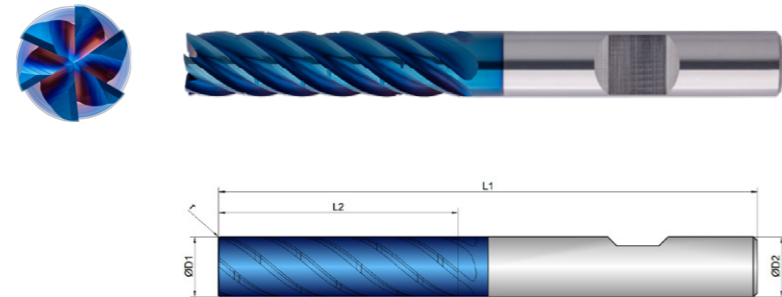
Cooling	
Tolerance	e8
Coating	AlphaNox Navy X

Strategy	ETC						
Application							
Features	HB	≠					

- 6 cutting edges for best performance and an excellent material removal rate
- Optimized cutting edges and chip chambers to effectively prevent built-up edges and chip stuck

- For roughing and finishing under ETC conditions
- For process reliable, helical immersion

- Ideal chip evacuation, even with high feed rates and big radial depth of cutting



EXM1-M03-0124	D1 mm ∅	L2 mm	L1 mm	D2 mm ∅	z #	r mm	 °
6	6.0	26.0	67.0	6.0	6	0.15	40
8	8.0	34.0	75.0	8.0	6	0.20	40
10	10.0	42.0	90.0	10.0	6	0.20	40
12	12.0	51.0	100.0	12.0	6	0.20	40
16	16.0	67.0	125.0	16.0	6	0.30	40
20	20.0	83.0	150.0	20.0	6	0.30	40



Download Catalog Pages (PDF)

Dimension	∅6	∅8	∅10	∅12	∅16	∅20
Infeed in mm	ae=0.05xD ap=Lmax	ae=0.05xD ap=Lmax	ae=0.05xD ap=Lmax	ae=0.05xD ap=Lmax	ae=0.05xD ap=Lmax	ae=0.05xD ap=Lmax
Application						

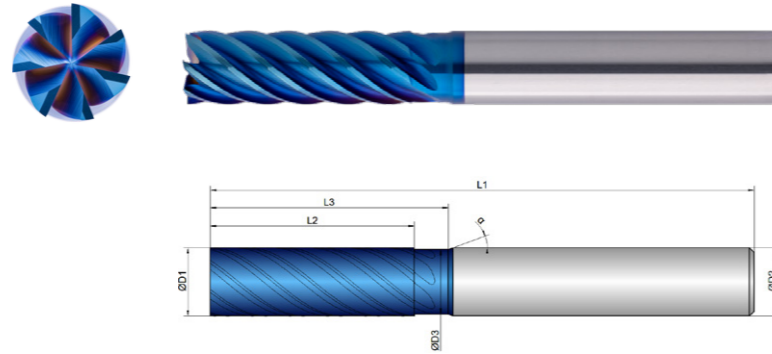
Material	Strength (N/mm ²)	Feed (mm/Z)	fz	fz	fz	fz	fz	fz	
M STAINLESS STEEL		Vc (m/min)							
1.1	ferritic/martensitic	<850	190	0.065	0.08	0.1	0.12	0.14	0.16
2.1	austenitic	<650	170	0.055	0.07	0.08	0.1	0.12	0.14
2.2	austenitic	<750	140	0.045	0.06	0.07	0.09	0.11	0.13
3.1	DUPLEX STEEL super austenitic	<1100	120	0.04	0.045	0.05	0.07	0.09	0.11
P STEEL		Vc (m/min)							
1.1-1.5	unalloyed	<1100	240	0.05	0.07	0.08	0.1	0.13	0.15
2.1-2.4	low alloyed	<1300	180	0.045	0.06	0.075	0.09	0.12	0.13
3.1-3.3	high alloyed	<1400	165	0.04	0.055	0.07	0.08	0.11	0.12
K CASTINGS		Vc (m/min)							
1.1	grey cast iron	<1000	220	0.05	0.07	0.08	0.1	0.13	0.15
T TITANIUM		Vc (m/min)							
2.1-2.3	pure/alloyed	<1000	100	0.04	0.055	0.07	0.08	0.11	0.12

NOTE | The values marked in turquoise are side applications!
Values for ETC-milling; please reduce Vc and fz by 20% using side milling.

Cooling	
Tolerance	e8
Coating	AlphaNox Navy X

Strategy	HPC	
Application		
Features	HA \neq 3xD	

- Slightly conical tool core and special helical pitch
 - 7 specially finished cutting edges with optimized geometry
 - Face-Finish-bevel for smooth workpiece surfaces
-
- 7 cutting edges for highest feed rates
-
- For excellent surfaces and maximum dimensional accuracy



Roughing					Finishing				
inappropriate					inappropriate				
optimal					optimal				

	D1	D3	L2	L3	L1	D2	z	α	
EXM1-M04-0033									
	mm \varnothing	mm \varnothing	mm	mm	mm	mm \varnothing	#	$^{\circ}$	
6	6.0	5.8	20.0	25.0	63.0	6.0	7	39	20
8	8.0	7.8	26.0	30.0	70.0	8.0	7	39	20
10	10.0	9.5	32.0	36.0	80.0	10.0	7	39	20
12	12.0	11.5	39.0	46.0	93.0	12.0	7	39	20
16	16.0	15.5	52.0	57.0	110.0	16.0	7	39	20
20	20.0	19.5	64.0	72.0	125.0	20.0	7	39	20



Download Catalog Pages (PDF)

Dimension	Infeed in mm	Application	Strength (N/mm ²)						
			Feed (mm/Z)	fz	fz	fz	fz	fz	fz
	ae=0.05xD ap=Lmax								
	ae=0.05xD ap=Lmax								
	ae=0.05xD ap=Lmax								
	ae=0.05xD ap=Lmax								
	ae=0.05xD ap=Lmax								
	ae=0.05xD ap=Lmax								

Material	Strength (N/mm ²)	Vc (m/min)	fz	fz	fz	fz	fz	fz
M STAINLESS STEEL								
1.1 ferritic/martensitic	<850	90	0.028	0.03	0.032	0.034	0.036	0.038
2.1 austenitic	<650	80	0.026	0.028	0.03	0.032	0.034	0.036
2.2 austenitic	<750	75	0.024	0.026	0.028	0.03	0.032	0.034
3.1 DUPLEX STEEL super austenitic	<1100	65	0.02	0.022	0.024	0.026	0.028	0.03
P STEEL								
1.1-1.5 unalloyed	<1100	230	0.03	0.032	0.034	0.036	0.038	0.04
2.1-2.4 low alloyed	<1300	200	0.028	0.03	0.032	0.034	0.036	0.038
3.1-3.3 high alloyed	<1400	180	0.025	0.027	0.029	0.031	0.033	0.035
K CASTINGS								
1.1 grey cast iron	<1000	215	0.028	0.03	0.032	0.034	0.036	0.038
T TITANIUM								
2.1-2.3 pure/alloyed	<1000	70	0.022	0.024	0.026	0.028	0.03	0.032

NOTE | The values marked in turquoise are side applications! to achieve high surface quality, use ae=0.2mm for Ø6-10; ae=0.3mm for Ø12-20. We recommend an empty pass for high surface quality and size accuracy.

STILL CAN'T FIND A SUITABLE MILLING CUTTER?

No problem – simply customize an existing tool. Using our configurator for special milling cutters, you can customize existing tools to your needs in an instant or create your own tools based on predefined types.

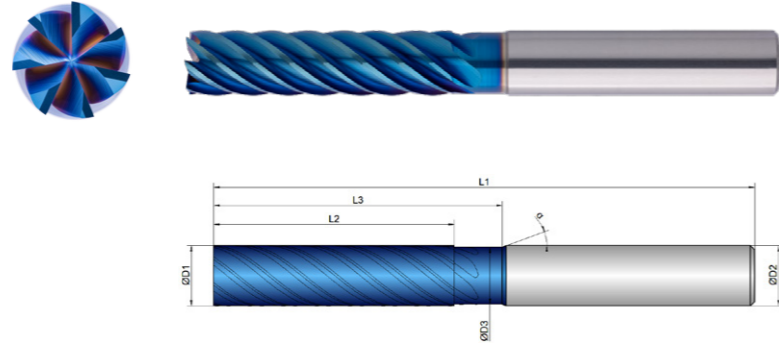
WE WILL RESPOND TO ALL REQUESTS SUBMITTED VIA THE CONFIGURATOR WITHIN ONE WORKING DAY AT THE LATEST



Cooling	
Tolerance	e8
Coating	AlphaNox Navy X

Strategy	HPC	
Application		
Features	HA \neq 4xD	

- Slightly conical tool core and special helical pitch
 - 7 specially finished cutting edges with optimized geometry
 - Face-Finish-bevel for smooth workpiece surfaces
-
- 7 cutting edges for highest feed rates
-
- For excellent surfaces and maximum dimensional accuracy



Roughing					Finishing				
inappropriate					optimal				

	D1	D3	L2	L3	L1	D2	z	α
EXM1-M04-0043								
	mm \emptyset	mm \emptyset	mm	mm	mm	mm \emptyset	#	$^{\circ}$
6	6.0	5.8	26.0	32.0	63.0	6.0	7	39
8	8.0	7.8	34.0	40.0	80.0	8.0	7	39
10	10.0	9.5	42.0	48.0	90.0	10.0	7	39
12	12.0	11.5	51.0	56.0	100.0	12.0	7	39
16	16.0	15.5	67.0	72.0	125.0	16.0	7	39
20	20.0	19.5	84.0	90.0	150.0	20.0	7	39



Download Catalog Pages (PDF)

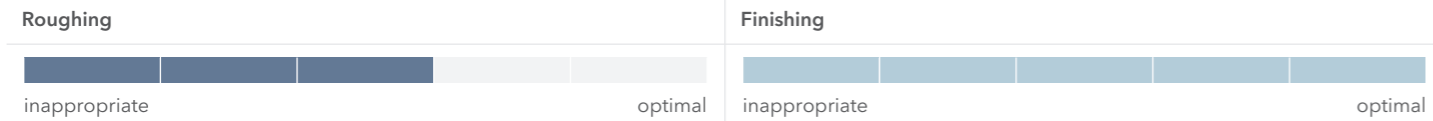
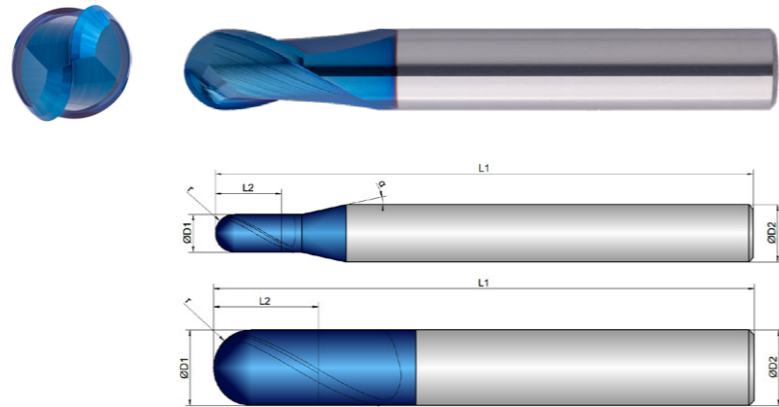
Material	Strength (N/mm ²)	Feed (mm/Z)	Dimension					
			$\emptyset 6$	$\emptyset 8$	$\emptyset 10$	$\emptyset 12$	$\emptyset 16$	$\emptyset 20$
M STAINLESS STEEL			Vc (m/min)					
1.1 ferritic/martensitic	<850	90	0.028	0.03	0.032	0.034	0.036	0.038
2.1 austenitic	<650	80	0.026	0.028	0.03	0.032	0.034	0.036
2.2 austenitic	<750	75	0.024	0.026	0.028	0.03	0.032	0.034
3.1 DUPLEX STEEL super austenitic	<1100	65	0.02	0.022	0.024	0.026	0.028	0.03
P STEEL			Vc (m/min)					
1.1-1.5 unalloyed	<1100	210	0.03	0.032	0.034	0.036	0.038	0.04
2.1-2.4 low alloyed	<1300	170	0.028	0.03	0.032	0.034	0.036	0.038
3.1-3.3 high alloyed	<1400	150	0.025	0.027	0.029	0.031	0.033	0.035
K CASTINGS			Vc (m/min)					
1.1 grey cast iron	<1000	190	0.028	0.03	0.032	0.034	0.036	0.038
T TITANIUM			Vc (m/min)					
2.1-2.3 pure/alloyed	<1000	65	0.022	0.024	0.026	0.028	0.03	0.032

NOTE | The values marked in turquoise are side applications! to achieve high surface quality, use ae=0.2mm for $\emptyset 6-10$; ae=0.3mm for $\emptyset 12-20$. We recommend an empty pass for high surface quality and size accuracy.

Cooling	
Tolerance	f8
Coating	AlphaNox Navy X

Strategy	HSC		
Application			
Features	HA		

- Adjusted core for smooth running
 - Defined microbevel for support and stabilization
 - Optimized cross cutting edge for maximum stability in the tool center
- For use in HSC milling
 - For roughing and finishing
- Radius tolerance $r \leq 2$ mm: ± 0.003 mm
 - Radius tolerance $r > 2$ mm: ± 0.005 mm



EXM1-M08-0003	D1 mm 	L2 mm 	L1 mm 	D2 mm 	z # 	r mm 	α
0,5	0.5	1.5	57.0	6.0	2	0.25	30
1	1.0	2.0	57.0	6.0	2	0.50	30
1,5	1.5	3.0	57.0	6.0	2	0.75	30
2	2.0	4.0	57.0	6.0	2	1.00	30
2,5	2.5	5.0	57.0	6.0	2	1.25	30
3	3.0	6.0	57.0	6.0	2	1.50	30
4	4.0	7.0	57.0	6.0	2	2.00	30
5	5.0	8.0	57.0	6.0	2	2.50	30
6	6.0	10.0	57.0	6.0	2	3.00	0
8	8.0	12.0	63.0	8.0	2	4.00	0
10	10.0	14.0	72.0	10.0	2	5.00	0
12	12.0	16.0	83.0	12.0	2	6.00	0



Download Catalog Pages (PDF)

Dimension	Ø0.5	Ø1	Ø1.5	Ø2	Ø2.5	Ø3	Ø4	Ø5	Ø6	Ø8	Ø10	Ø12
Infeed in mm	ae=0.05xD ap=0.05xD	ae=0.05xD ap=0.05xD	ae=0.05xD ap=0.05xD	ae=0.05xD ap=0.05xD	ae=0.05xD ap=0.05xD	ae=0.05xD ap=0.05xD	ae=0.05xD ap=0.05xD	ae=0.05xD ap=0.05xD	ae=0.05xD ap=0.05xD	ae=0.05xD ap=0.05xD	ae=0.05xD ap=0.05xD	ae=0.05xD ap=0.05xD
Application												

Material	Strength (N/mm ²)	Feed (mm/Z)	fz	fz	fz	fz	fz	fz	fz	fz	fz	fz	fz	fz
M STAINLESS STEEL		Vc (m/min)												
1.1 ferritic/martensitic	<850	140	0.015	0.025	0.03	0.045	0.05	0.055	0.065	0.075	0.09	0.11	0.12	0.13
2.1 austenitic	<650	120	0.01	0.02	0.025	0.04	0.045	0.05	0.06	0.07	0.08	0.1	0.11	0.12
2.2 austenitic	<750	100	0.008	0.015	0.02	0.035	0.04	0.045	0.055	0.065	0.075	0.095	0.1	0.11
3.1 DUPLEX STEEL super austenitic	<1100	80	0.006	0.012	0.015	0.03	0.035	0.04	0.05	0.06	0.07	0.085	0.09	0.1
P STEEL		Vc (m/min)												
1.1-1.5 unalloyed	<1100	240	0.012	0.022	0.025	0.04	0.045	0.05	0.06	0.07	0.08	0.1	0.11	0.12
2.1-2.4 low alloyed	<1300	190	0.01	0.018	0.02	0.035	0.04	0.045	0.055	0.065	0.07	0.09	0.1	0.11
3.1-3.3 high alloyed	<1400	185	0.008	0.012	0.018	0.03	0.035	0.04	0.05	0.06	0.065	0.085	0.09	0.1
K CASTINGS		Vc (m/min)												
1.1 grey cast iron	<1000	280	0.01	0.018	0.02	0.035	0.04	0.045	0.055	0.065	0.07	0.09	0.1	0.11
T TITANIUM		Vc (m/min)												
2.1-2.3 pure/alloyed	<1000	70	0.006	0.01	0.015	0.02	0.022	0.025	0.03	0.035	0.04	0.05	0.07	0.09

NOTE | The values marked in turquoise are side applications!

STILL CAN'T FIND A SUITABLE MILLING CUTTER?

No problem - simply customize an existing tool. Using our configurator for special milling cutters, you can customize existing tools to your needs in an instant or create your own tools based on predefined types.

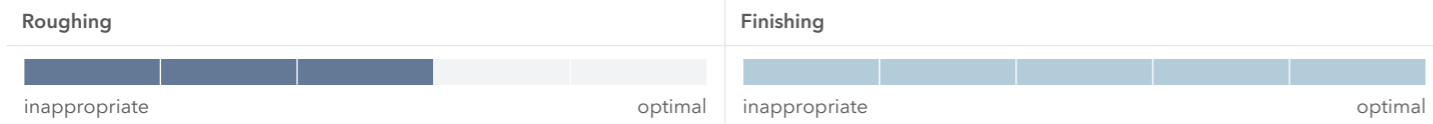
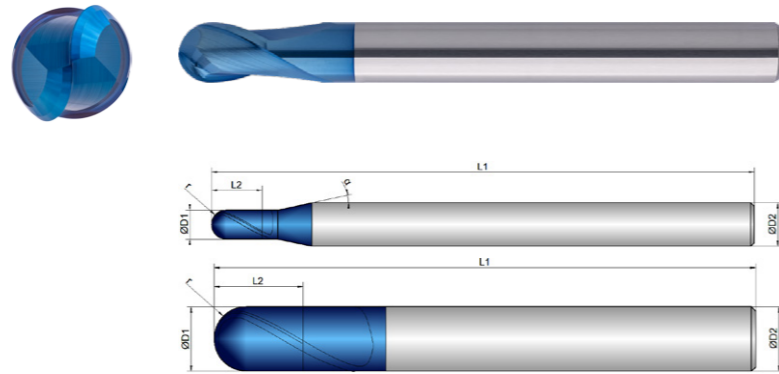


WE WILL RESPOND TO ALL REQUESTS SUBMITTED VIA THE CONFIGURATOR WITHIN ONE WORKING DAY AT THE LATEST

Cooling	
Tolerance	f8
Coating	AlphaNox Navy X

Strategy	HSC	
Application		
Features	HA	

- Adjusted core for smooth running
 - Defined microlevel for support and stabilization
 - Optimized cross cutting edge for maximum stability in the tool center
- For use in HSC milling
 - For roughing and finishing
 - Long version for deeper cavities
- Radius tolerance $r \leq 2 \text{ mm}$: $\pm 0.003 \text{ mm}$
 - Radius tolerance $r > 2 \text{ mm}$: $\pm 0.005 \text{ mm}$



EXM1-M08-0013	D1 mm ø	L2 mm	L1 mm	D2 mm ø	z #	r mm	ø	α °
0,5	0.5	1.5	75.0	6.0	2	0.25	30	12
1	1.0	2.0	75.0	6.0	2	0.50	30	12
1,5	1.5	3.0	75.0	6.0	2	0.75	30	12
2	2.0	4.0	75.0	6.0	2	1.00	30	12
2,5	2.5	5.0	75.0	6.0	2	1.25	30	12
3	3.0	6.0	75.0	6.0	2	1.50	30	12
4	4.0	7.0	75.0	6.0	2	2.00	30	12
5	5.0	8.0	75.0	6.0	2	2.50	30	12
6	6.0	10.0	75.0	6.0	2	3.00	30	0
8	8.0	12.0	75.0	8.0	2	4.00	30	0
10	10.0	14.0	85.0	10.0	2	5.00	30	0
12	12.0	16.0	100.0	12.0	2	6.00	30	0



Download Catalog Pages (PDF)

Dimension	Ø0.5	Ø1	Ø1.5	Ø2	Ø2.5	Ø3	Ø4	Ø5	Ø6	Ø8	Ø10	Ø12
Infeed in mm	ae=0.05xD ap=0.05xD	ae=0.05xD ap=0.05xD	ae=0.05xD ap=0.05xD	ae=0.05xD ap=0.05xD	ae=0.05xD ap=0.05xD	ae=0.05xD ap=0.05xD	ae=0.05xD ap=0.05xD	ae=0.05xD ap=0.05xD	ae=0.05xD ap=0.05xD	ae=0.05xD ap=0.05xD	ae=0.05xD ap=0.05xD	ae=0.05xD ap=0.05xD
Application												

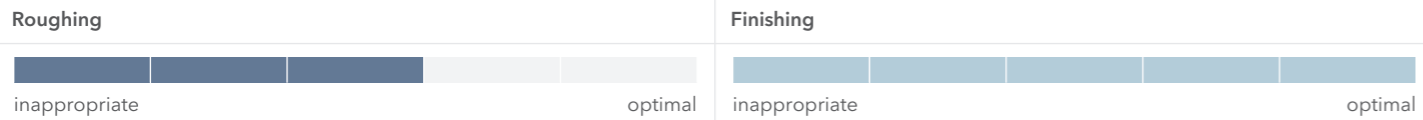
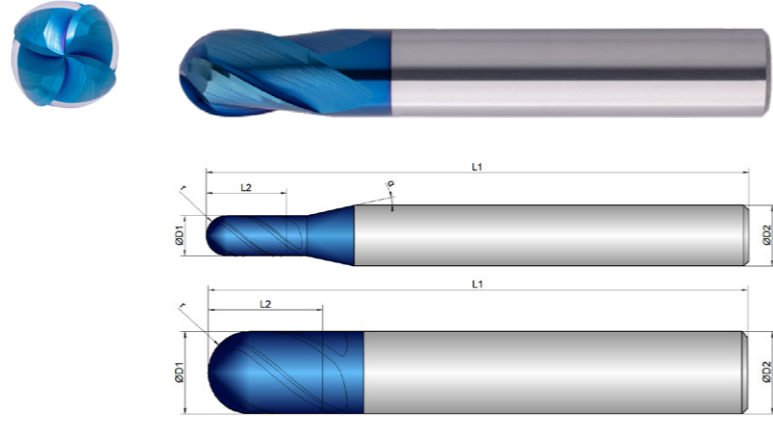
Material	Strength (N/mm ²)	Feed (mm/Z)	fz	fz	fz	fz	fz	fz	fz	fz	fz	fz	fz	fz
M STAINLESS STEEL		Vc (m/min)												
1.1 ferritic/martensitic	<850	130	0.015	0.025	0.03	0.045	0.05	0.055	0.065	0.075	0.09	0.11	0.12	0.13
2.1 austenitic	<650	110	0.01	0.02	0.025	0.04	0.045	0.05	0.06	0.07	0.08	0.1	0.11	0.12
2.2 austenitic	<750	90	0.008	0.015	0.02	0.035	0.04	0.045	0.055	0.065	0.075	0.095	0.1	0.11
3.1 DUPLEX STEEL super austenitic	<1100	70	0.006	0.012	0.015	0.03	0.035	0.04	0.05	0.06	0.07	0.085	0.09	0.1
P STEEL		Vc (m/min)												
1.1-1.5 unalloyed	<1100	220	0.012	0.022	0.025	0.04	0.045	0.05	0.06	0.07	0.08	0.1	0.11	0.12
2.1-2.4 low alloyed	<1300	170	0.01	0.018	0.02	0.035	0.04	0.045	0.055	0.065	0.07	0.09	0.1	0.11
3.1-3.3 high alloyed	<1400	165	0.008	0.012	0.018	0.03	0.035	0.04	0.05	0.06	0.065	0.085	0.09	0.1
K CASTINGS		Vc (m/min)												
1.1 grey cast iron	<1000	250	0.01	0.018	0.02	0.035	0.04	0.045	0.055	0.065	0.07	0.09	0.1	0.11
T TITANIUM		Vc (m/min)												
2.1-2.3 pure/alloyed	<1000	60	0.006	0.01	0.015	0.02	0.022	0.025	0.03	0.035	0.04	0.05	0.07	0.09

NOTE | The values marked in turquoise are side applications!

Cooling	
Tolerance	f8
Coating	AlphaNox Navy X

Strategy	HSC	
Application		
Features	HA	

- Adjusted wedge angle and helical pitch for smooth running and a soft cut
- Reinforced face geometry with a special finishing bevel for maximum performance and surface quality
- For use in HSC milling
- For roughing and finishing
- Highest machining performance due to four cutting edges
- Radius tolerance $r \leq 2$ mm: ± 0.003 mm
- Radius tolerance $r > 2$ mm: ± 0.005 mm



EXM1-M08-0203	D1 mm 	L2 mm 	L1 mm 	D2 mm 	z # 	r mm 		β
3	3.0	5.0	54.0	6.0	4	1.50	40	12
4	4.0	8.0	54.0	6.0	4	2.00	40	12
5	5.0	9.0	54.0	6.0	4	2.50	40	12
6	6.0	10.0	54.0	6.0	4	3.00	40	0
8	8.0	12.0	59.0	8.0	4	4.00	40	0
10	10.0	14.0	66.0	10.0	4	5.00	40	0
12	12.0	16.0	73.0	12.0	4	6.00	40	0
16	16.0	22.0	82.0	16.0	4	8.00	40	0



Download Catalog Pages (PDF)

Dimension	Ø3	Ø4	Ø5	Ø6	Ø8	Ø10	Ø12	Ø16
Infeed in mm	ae=0.05xD ap=0.05xD	ae=0.05xD ap=0.05xD	ae=0.05xD ap=0.05xD	ae=0.05xD ap=0.05xD	ae=0.05xD ap=0.05xD	ae=0.05xD ap=0.05xD	ae=0.05xD ap=0.05xD	ae=0.05xD ap=0.05xD
Application								

Material	Strength (N/mm ²)	Feed (mm/Z)	fz	fz	fz	fz	fz	fz	fz	fz
M STAINLESS STEEL		Vc (m/min)								
1.1 ferritic/martensitic	<850	140	0.045	0.055	0.06	0.07	0.09	0.1	0.11	0.13
2.1 austenitic	<650	120	0.04	0.05	0.055	0.065	0.08	0.09	0.1	0.12
2.2 austenitic	<750	100	0.035	0.045	0.05	0.06	0.075	0.08	0.09	0.11
3.1 DUPLEX STEEL super austenitic	<1100	80	0.03	0.04	0.045	0.055	0.07	0.07	0.08	0.1
P STEEL		Vc (m/min)								
1.1-1.5 unalloyed	<1100	240	0.04	0.05	0.06	0.07	0.09	0.1	0.11	0.13
2.1-2.4 low alloyed	<1300	190	0.035	0.045	0.055	0.065	0.085	0.095	0.1	0.12
3.1-3.3 high alloyed	<1400	185	0.03	0.04	0.05	0.06	0.08	0.09	0.09	0.11
K CASTINGS		Vc (m/min)								
1.1 grey cast iron	<1000	280	0.035	0.045	0.055	0.065	0.085	0.095	0.1	0.12
T TITANIUM		Vc (m/min)								
2.1-2.3 pure/alloyed	<1000	70	0.02	0.025	0.03	0.035	0.045	0.06	0.08	0.1

NOTE | The values marked in turquoise are side applications!

STILL CAN'T FIND A SUITABLE MILLING CUTTER?

No problem - simply customize an existing tool. Using our configurator for special milling cutters, you can customize existing tools to your needs in an instant or create your own tools based on predefined types.

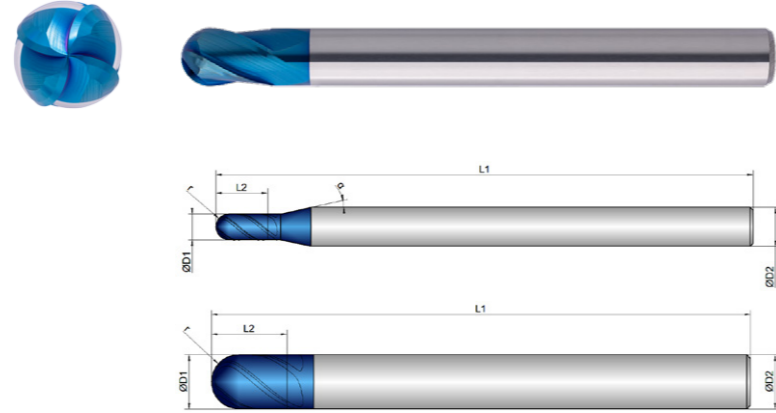
WE WILL RESPOND TO ALL REQUESTS SUBMITTED VIA THE CONFIGURATOR WITHIN ONE WORKING DAY AT THE LATEST



Cooling	
Tolerance	f8
Coating	AlphaNox Navy X

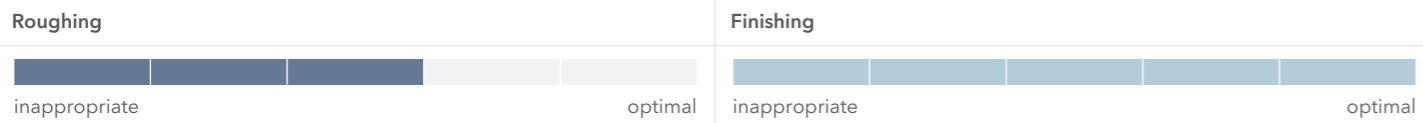
Strategy	HSC		
Application			
Features			

- Adjusted wedge angle and helical pitch for smooth running and a soft cut
- Reinforced face geometry with a special finishing bevel for maximum performance and surface quality



- For use in HSC milling
- For roughing and finishing
- Long version for deeper cavities

- Highest machining performance due to four cutting edges
- Radius tolerance $r \leq 2$ mm: ± 0.003 mm
- Radius tolerance $r > 2$ mm: ± 0.005 mm



	D1	L2	L1	D2	z	r	β
EXM1-M08-0223							
	mm	mm	mm	mm	#	mm	°
3	3.0	5.0	83.0	6.0	4	1.50	40
4	4.0	8.0	83.0	6.0	4	2.00	40
5	5.0	9.0	83.0	6.0	4	2.50	40
6	6.0	10.0	83.0	6.0	4	3.00	40
8	8.0	12.0	100.0	8.0	4	4.00	40
10	10.0	14.0	100.0	10.0	4	5.00	40
12	12.0	16.0	100.0	12.0	4	6.00	40
16	16.0	22.0	125.0	16.0	4	8.00	40



Download Catalog Pages (PDF)

Dimension	Ø3	Ø4	Ø5	Ø6	Ø8	Ø10	Ø12	Ø16
Infeed in mm	ae=0.05xD ap=0.05xD	ae=0.05xD ap=0.05xD	ae=0.05xD ap=0.05xD	ae=0.05xD ap=0.05xD	ae=0.05xD ap=0.05xD	ae=0.05xD ap=0.05xD	ae=0.05xD ap=0.05xD	ae=0.05xD ap=0.05xD
Application								

Material	Strength (N/mm ²)	Feed (mm/Z)	fz	fz	fz	fz	fz	fz	fz	fz
M STAINLESS STEEL		Vc (m/min)								
1.1 ferritic/martensitic	<850	130	0.045	0.055	0.06	0.07	0.09	0.1	0.11	0.13
2.1 austenitic	<650	110	0.04	0.05	0.055	0.065	0.08	0.09	0.1	0.12
2.2 austenitic	<750	90	0.035	0.045	0.05	0.06	0.075	0.08	0.09	0.11
3.1 DUPLEX STEEL super austenitic	<1100	70	0.03	0.04	0.045	0.055	0.07	0.07	0.08	0.1
P STEEL		Vc (m/min)								
1.1-1.5 unalloyed	<1100	220	0.04	0.05	0.06	0.07	0.09	0.1	0.11	0.13
2.1-2.4 low alloyed	<1300	170	0.035	0.045	0.055	0.065	0.085	0.095	0.1	0.12
3.1-3.3 high alloyed	<1400	165	0.03	0.04	0.05	0.06	0.08	0.09	0.09	0.11
K CASTINGS		Vc (m/min)								
1.1 grey cast iron	<1000	250	0.035	0.045	0.055	0.065	0.085	0.095	0.1	0.12
T TITANIUM		Vc (m/min)								
2.1-2.3 pure/alloyed	<1000	60	0.02	0.025	0.03	0.035	0.045	0.06	0.08	0.1

NOTE | The values marked in turquoise are side applications!

EXPLANATION

APPLICATIONS

Multipass milling	Trimming	Deburring	Engraving
Corner rounding	Full slot milling	Forward and backward deburring	

COOLINGS

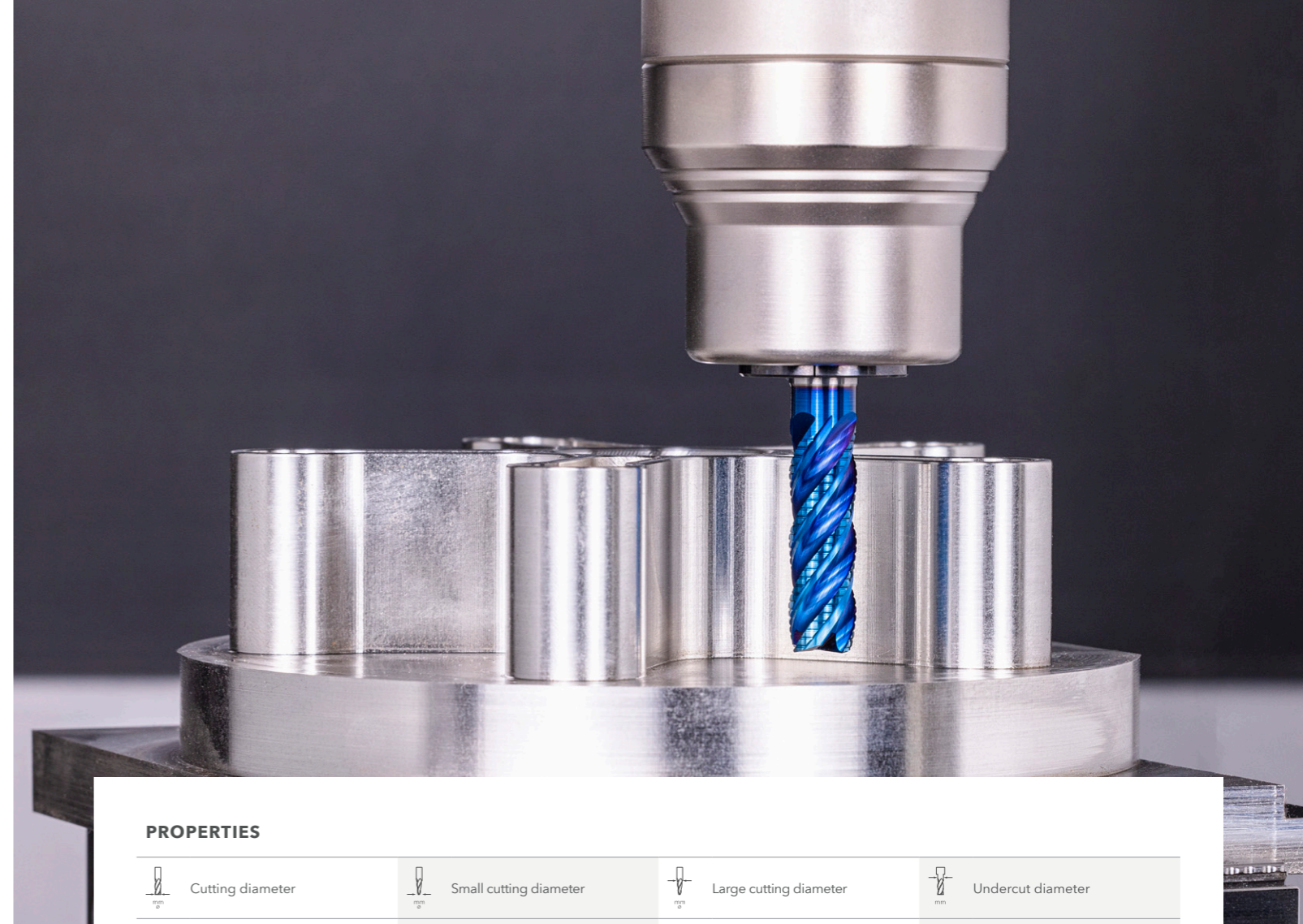
Air-cooling	Dry machining	Oil cooling	Cooling Lubricant
Minimum quantity lubrication			

FEATURES

2xD	3xD	4xD	5xD
Center cutting	Non-center cutting	Without Weldon	With Weldon
Internal cooling	Dynamic helical pitch	Chip breaker	Unequal tooth pitch
Roughing teeth	Helical immersion	Feed directions x.y	Feed directions x.y.z
Feed directions x.y.z			

STRATEGY

Extended Trochoidal Cutting	High Performance Cutting	High Speed Cutting	Multi Task Cutting
Universal Machining			



PROPERTIES

Cutting diameter	Small cutting diameter	Large cutting diameter	Undercut diameter
Length of cut	Total bevel length	Undercut length	Total length
Shank diameter	Number of teeth	Corner radius	Corner bevel
Programming radius	Maximum depth of cut	Helical angle	Alpha angle

APPLICATION TABLE

The values given in the application table are only guidelines. These values are largely dependent on the machining situation and application.

FIGURES

All technical drawings and photographs are given as an example. The product may deviate from the original in terms of colour and dimensions.

M 1.1 STAINLESS STEEL | ferritic/martensitic <850 N/mm²

Table with 10 columns: Materialnumber, Germany | DIN, Europe | EN, France | AFNOR, Great Britain | BS, Italy | UNI, Sweden | SIS, Spain | UNE, Japan | JIS, USA | AISI. Rows include materials like 1.4000, 1.4002, 1.4003, etc.

M 2.1 STAINLESS STEEL | austenitic <650 N/mm²

Table with 10 columns: Materialnumber, Germany | DIN, Europe | EN, France | AFNOR, Great Britain | BS, Italy | UNI, Sweden | SIS, Spain | UNE, Japan | JIS, USA | AISI. Rows include materials like 1.4300, 1.4301, 1.4302, etc.

M 2.2 STAINLESS STEEL | austenitic <750 N/mm²

Table with 10 columns: Materialnumber, Germany | DIN, Europe | EN, France | AFNOR, Great Britain | BS, Italy | UNI, Sweden | SIS, Spain | UNE, Japan | JIS, USA | AISI. Rows include materials like 1.4429, 1.4432, 1.4433, etc.

M 2.2 STAINLESS STEEL | austenitic <750 N/mm²

Materialnumber	Germany DIN	Europe EN	France AFNOR	Great Britain BS	Italy UNI	Sweden SIS	Spain UNE	Japan JIS	USA AISI
1.4866	X33CrNiMnN238	X 33 CrNiMnN 23 8	X 33 CrNiMnN 23 8						
1.4871	X53CrMnNiN219		Z 52 CMN 21.09	349 S 54	X 53 CrMnNiN 21 9		X 53 CrMnNiN 21-09	SUH 35	EV 8
1.4873	X45CrNiW189	X 45 CrNiW 18 9	Z 35 CNWS 14.14	331 S 40	X 45 CrNiW 18 9		X 45 CrNiSiW 18-09	SUH 31	
1.4878	X12CrNiTi189	X 10 CrNiTi 18 10	Z 6 CNT 18.12	321 S 20	X 6 CrNiTi 18.11	2337	X 6 CrNiTi 18 11	SUS 321	321
1.4881	X70CrMnNiN216				X 70 CrMnNiN 21 6				EV 11
1.4882	X50CrMnNiNbN219	X 50 CrMnNiNbN 21 9	Z 50 CMNNb 21.09						
1.4919	X6CrNiMo1713	X 6 CrNiMo 17 12 2	Z 6 CND 17.13 B	316 S 51					316 H
1.4948	X6CrNi1811	X 6 CrNi 18 10	Z 6 CN 18.09	304 S 51	X 5 CrNi 18 10 KW	2333			
1.4949	X3CrNi1811				X 2 CrNiN 18 11				
1.4961	X8CrNiNb1613			347 S 51			X 7 CrNiNb 16 13		
1.4981	X8CrNiMoNb1616						X 7 CrNiMo 16 16		

M 3.1 DUPLEX STEEL | super austenitic <1100 N/mm²

Materialnumber	Germany DIN	Europe EN	France AFNOR	Great Britain BS	Italy UNI	Sweden SIS	Spain UNE	Japan JIS	USA AISI
1.4162	X2CrMnNiN2252	X 2 CrMnNiN 22 5 2			X2CrMnNiN21-5-1		S32101	LDX 2101	S321 01
1.4362	X2CrNiN234	X 2 CrNiN 23 4	Z 3 CN 23 04 AZ			3237			S323 04
1.4410	X2CrNiMoN2574	X 2 CrNiMoN 25 7 4	Z 5 CND 20.10 M		X 2 CrNiMoN 25 7 4			SCS 14 A	S327 50
1.4460	X4CrNiMo2752	X 3 CrNiMo 27 5 2	X 2 CrNiMo 25 7 3		X 3 CrNiMo 27 5 2	2324	X 8 CrNiMo 27 05	SUS 329 J1	S325 50
1.4462	X2CrNiMoN2253	X 2 CrNiMoN 22 5 3	Z 3 CND 22.05 AZ	318 S 13	X 2 CrNiMoN 22 5 3	2377		SUS 329 J3L	S318 03
1.4465	X1CrNiMoN25252	X 1 CrNiMoN 25 25 2	Z 1 CND 25.22 AZ						S310 50
1.4501	X2CrNiMoCuWN2574	X 2 CrNiMoCuWN 25 7 4	Z 3 CND 25.06 AZ					SM 25 Cr	S327 60
1.4507	X2CrNiMoCuN2563	X 2 CrNiMoCuN 25 6 3	Z 3 CNDU 25.06 AZ					QSA 2505	S325 20
1.4534	X3CrNiMoAl1382		Z 4 CNDAT 13.09						S138 00
1.4548	X5CrNiCuNb1744	X 5 CrNiCuNb 16 4	X 5 CrNiCuNb 16 4					SUS 630	S174 00
1.4568	X7CrNiAl177	X 7 CrNiAl 17 7	Z 9 CNA 17 07	301 S 81	X 7 CrNiAl 17 7	2388	X 7 CrNiAl 17 7	SUS 631	S177 00

P 1.1 STEEL | unalloyed <500 N/mm²

Materialnumber	Germany DIN	Europe EN	France AFNOR	Great Britain BS	Italy UNI	Sweden SIS	Spain UNE	Japan JIS	USA AISI
1.0498	ST42.8							STPT 42	
1.0044	ST442		E28-2	4360-43 B	Fe 430 BFN	1412	AE 275-B	SM 41 B	570 Gr. 40
1.0420	GS38	GE 200	230-400M			1306			
1.0446	GS45	GE 230	E23-45M	A1		1305	F.221	SC 450	
1.0136	St42-3								
1.0254	St37.0	P235T1						STPG 38	
1.1120	GS20Mn5							SMnC 420	
1.1121	CK10	2 C 10	XC 10	040 A 10	C 10	1265	C 10 k	S 10 C	1010
1.1131	GS15Mn5								
1.1151	CK22	2 C 22	XC 25	050 A 20	C 20		C 25 k	S 22 C	1023
1.5523	19MnB4			170 H 20			20 Mn B 4 DF	SWRCHB	
1.8961	WTS373				Fe 360 D FF			SMA 50 A	
1.0035	ST33		A 33		FE 320			SS 330	
1.0037	ST37-2							STKR 400	
1.0710	15S10								
1.0715	9SMn28	11 SMn 28	S 250	230 M 07	CF 9 SMn 28	1912	11 SMn 28	SUM 22	1213
1.0718	9SMnPb28	11 SMnPb28	S 250 Pb		CF 9SMnPb 28	1914	11 SMnPb 28	SUM 22 L	12 L 13
1.0721	10S20	10 S 20	10 F 1	210 M 15	CF 10 S 20		10 S 20		1108
1.0722	10SPb20	10 SPb 20	10 Pb F 2		CF 10 SPb 20		10 SPb 20		11 L 08
1.0736	9SMn36		S300	240 M 07	CF 9 SMn 36		12 SMn 35	SUM 25	1215
1.0737	9SMnPb36		S 300 Pb		CF 9 SMnPb 36	1926	12 SMnPb 35		12 L 14

P 1.2 STEEL | unalloyed <700 N/mm²

Materialnumber	Germany DIN	Europe EN	France AFNOR	Great Britain BS	Italy UNI	Sweden SIS	Spain UNE	Japan JIS	USA AISI
1.0553	S244J0	S355J0	E 36-3	En 50 C	Fe 510 C FN			SM 520 M	S355J0
1.0581	ST52.4							STS 49	
1.1140	C15R	C15R	C15R	C15R					
1.1141	CK15	2 C 15	XC 15	080 M 15	C 15	1370	C 16 k-1		
1.1190	S355G15								
1.0116	ST373		E 24-3	4360-40 C	Fe 37-3	1312	A 360 C		A 570 Gr. 36
1.0144	ST443		E 28-3	4360-43 C	Fe 430 D FF	1414	AE 275-D	SM 41 B	A 573 Gr. 70
1.0401	C15		CC12	080 M 15	C 15	1350	F.111	S 15 C	1015
1.0402	C22	1 C 22	CC 22	070 M 20	C 22		C 22 k	SFVC 1	
1.0406	C25	1 C 25	CC 25	070 M 26	C 25		C 25 k	S 22 C	1025
1.0461	STE255								
1.0482	19Mn5		A 52 CP	224-460				SG 37	
1.0486	STE285				FE E 285 KG		AE 285 KG	SM 41 A	
1.0501	C35	1 C 35	CC 35	060 A 35	C 35	1550	F.113	S 35 C	1035
1.0503	C45	1 C 45	CC 45	080 M 46	C 45	1650	C 45 k	S 45 C	1045
1.0505	STE315							SM 50 A	
1.0511	C40	1 C 40		080 M 40			F.114.A	S 40 C	1040
1.0528	C30	1 C 30	CC 32	080 M 30	C30			SUP 7	1030
1.0540	C50	1 C 50		080 M 50		1674		S 50 C	1050
1.0552	GS52	GE 260							
1.0558	GS60	GE 300	320-560M	A3	C 45	1606			
1.0562	STE355		E 355 R/FP		Fe E 355 KG	2132	AE 355 KG	SM 50 YB	A 633 Gr. C
1.0711	9S20			220 M 07	CF 9 S 22			G 11120	1212
1.0970	38Si7		41 S 7						
1.1106	ESTE355			P 355 NL 2				STK 500	
1.1127	36Mn6			212 M 36				SMn 443	1141
1.1133	20MnS			120 M 19	G 22 Mn3		20 Mn 6	SMn 420	1022
1.1169	20Mn6								
1.1520	C70W1				C 70 KU				
1.5637	10Ni14			503	18 Ni 14 KT				A 350-LF 5
1.8962	9CrNiCuP324			WR 50 A				SPA-H	
1.0726	35S20	35 S 20	35 MF 4	212 M 36			1957	F.210G	1140
1.0760	38SMn28	38SMn28	38SMn28	38SMn28				38SMn28	
1.1158	CK25	2 C 25	XC 25	070 M 26	C 25		C 25 k	S 25 C	1025
1.1178	CK30	2 C 30	XC 32	080 M 30	C30			S 30 C	1030
1.1181	CK35	2 C 35	XC 38 H1	080 M 36	C35	1572	C 35 k	S 35 C	1034
1.1183	CF35		XC 38 TS	060 A 35	C35	1572		S 35 C	1035
1.1191	CK45	2 C 45	XC 42	080 M 46	C40		C45 k	S 45 C	1045
1.1206	CK50	2 C 50		080 M 50	C50	1674		S 50 C	1050
1.1730	C45W	C 45 U	Y3 42						
1.5423	16Mo5			1503-245-420	16 Mo 5		16 Mo 5	SBC 690	4520

P 1.3 STEEL | unalloyed <850 N/mm²

Materialnumber	Germany DIN	Europe EN	France AFNOR	Great Britain BS	Italy UNI	Sweden SIS	Spain UNE	Japan JIS	USA AISI
1.1165	GS30Mn5		35 M 5	120 M 36		1330	30 Mn 5	SMn 433 H	1330
1.1525	C80W1	C 80 U	Y1 90		C 80 KU	1880	F.513		W 108
1.1545	C105W1	C 105 U	Y1 105	BW 1A	C 100 KU	1880	F.515		W 110
1.1620	C70W2	C 70 U							
1.1625	C80W2		Y1 80	BW 1B	C 80 KU		C 80	SKC 3	W 1
1.1645	C105W2						C 102	SK 3	
1.1663	C125W	C 120 U	Y2 120		C 120 KU		C 120	SK 2	W 112
1.1673	C135W		Y2 140		C 140 KU			SK 1	
1.1740	C60W		Y3 55					SK 7	
1.1820	C55W								
1.1830	C85W	C 90 U	Y3 90					SK 5	1084
1.1744	C67W		Y1 70				F.512		A-6
1.1750	C75W			BW 1A					W 1
1.5404	21MoV53								
1.5406	17MoV84								
1.5633	24Ni8	G 9 Ni 10	22 N 8		G 9 Ni 10			SCPL 21	
1.6311	20MnMoNi45	20 MnMoNi 4 5						SQV 2 B	
1.7242	16CrMo4	18 CrMo 4	15 CD 3.5		18 CrMo 4		18 CrMo 4	SCM 418 H	
1.7258	24CrMo4							SCM 822 H	
1.7259	26CrMo7								
1.7273	24CrMo10								
1.7337	16CrMo44				A18 CrMo 4 5 KW				A 387 Gr. 12 Cl. 2
1.7350	22CrMo44								
1.7362	12CrMo195	X 12 CrMo 5	Z 10 CD 5.05	3606-625	16 CrMo 20 5			SCMV 6	
1.7709	21CrMoV57	21 CrMoV 5 7	20 CDV 5.07						
1.7766	17CrMoV10								
1.7779	20CrMoV135								

P 1.4 STEEL | unalloyed <950 N/mm²

Materialnumber	Germany DIN	Europe EN	France AFNOR	Great Britain BS	Italy UNI	Sweden SIS	Spain UNE	Japan JIS	USA AISI
1.0062	ST601								
1.0532	ST522	S 390 G 1 S							
1.0535	C55	1 C 55	C 55	070 M 55	C 55	1655		C 55	1055
1.0570	ST523	S 355 J2 F3	E 36-3	4360-50 B	Fe 510 B	2132	A 510 C	SM 50 YB	
1.0728	60S20	60 S 20	60 MF 4						1151
1.1203	Ck55	2 C 55	XC 55 H1	070 M 55	C 55	1655	C 55 k	S 55 C	1055
1.7276	10CrMo11		12 CD 10						
1.7281	16CrMo93		20 CD 8						

P 1.5 STEEL | unalloyed <1100 N/mm²

Materialnumber	Germany DIN	Europe EN	France AFNOR	Great Britain BS	Italy UNI	Sweden SIS	Spain UNE	Japan JIS	USA AISI
1.0070	ST702		A 70-2		Fe 70-2		A 690-2		
1.0601	C60	1 C 60	AF 70 C 55	080 A 62	C 60			S 60 C-CSP	1060
1.1221	Ck60	2 C 60	XC 60	060 A 62	C 60	1678		S 58 C	1060
1.1223	Cm60	3 C 60	C 60 R	080 A 67	C 60 R				
1.0603	C67W								

P 2.1 STEEL | low alloyed <750 N/mm²

Materialnumber	Germany DIN	Europe EN	France AFNOR	Great Britain BS	Italy UNI	Sweden SIS	Spain UNE	Japan JIS	USA AISI
1.0961	60SiCr7	60 SiCr 8	60 SC 7	250 A 61	60 SiCr 8		60 SiCr 8	SUP 7	9262
1.2101	62SiMnCr4								
1.2162	21MnCr5	21 MnCr 5	20 NC 5					SCR 420 H	
1.2208	31CrV3								
1.2210	115CrV3	107 CrV 3 KU	100 C 3		107 CrV 3 KU		F.520.L		L2
1.2235	80CrV2						F.520.J		
1.2241	51CrV4	51 CRMnV 4			51 CrMnV 4 KU				S6
1.2307	29CrMoV9								
1.2323	48CrMoV67		45 CDV 6						
1.2382	GX155CrVMo121								
1.2414	120W4						F.532		
1.2542	45WCrV7	45 WCrV 8		BS 1	45 WCrV 8 KU	2710	45 WCrSi 8		S1
1.2552	80WCrV8						60 WCrSi 8		
1.2726	26NiCrMoV5								
1.2737	28NiCrV5								
1.2738	40CrMnNiMoB64	40CrMnNiMoB 6-4							
1.2826	60MnSi4		60 MSC 4						
1.2838	145V33								
1.2842	90MnCrV8	90 MnV 8	90 MV 8	BO 2	90 MnVCr 8 KU				0 2
1.5752	14NiCr14	13 NiCr 12	16 NC 12	655 M 13	16 NiCr 11			SNC 815 H	E3310
1.5919	15CrNi6	14 CrNi 6	16 NC 6	S 107	16 CrNi 4			SNCM 420	
1.7003	38Cr2	38 Cr 2 KD	38 C 2	120 M 36	38 Cr 3		38 Cr 3	SMn 438	50 B40
1.7012	13Cr2								
1.7045	42Cr4	40 NiCrMo 3	42 C 4 TS	530 A 40	41 Cr 4	2245	42 Cr 4	SCR 440	5140
1.7103	67SiCr5	67 SiCr 5			67 SiCr 5				
1.7131	16MnCr5	16 MnCr 5 KD	16 MC 5	527 M 17	16 MnCr 5	2173	16 MnCr 5	SCR 415	5115
1.7271	23CrMoB33								
1.7715	14MoV63	14 MoV 6-3		1503-660-440			13 MoCrV 6		
1.8907	STE500							SM 58	
1.8911	ESTE380								

P 2.2 STEEL | low alloyed <950 N/mm²

Materialnumber	Germany DIN	Europe EN	France AFNOR	Great Britain BS	Italy UNI	Sweden SIS	Spain UNE	Japan JIS	USA AISI
1.0902	46Si7		45 S7				46 Si 7		
1.0906	65Si7			250 A 61					
1.0985	QSTE500N								
1.1157	40Mn4		35 M 5	150 M 36					1039
1.1167	36Mn5		40 M 5	150 M 36		2120	36 Mn 5		1335
1.1170	28Mn6	28 Mn 6	35 M 5	150 M 17	C 28 Mn		36 Mn 6	SCMn 1	1330
1.1199	49MnVS3			280 M 01					
1.2002	125Cr1		Y2 120 C						
1.2003	75Cr1		35 M 5	150 M 36					
1.2004	85Cr1		Y1 100 C 2						
1.2008	140Cr3		Y2 140 C					SKS 8	
1.2056	90Cr3								
1.2057	105Cr4						F.120.J	SKC 11	
1.2108	90CrSi5	P 280 GH			C 100 KU	2092		SFVC 2A	
1.2109	125CrSi5								
1.2127	105MnCr4				100 CrMn 4 KU			SUJ 3	
1.2206	140CrV1		130 C 3						0 6
1.2242	59CrV4								
1.2243	61CrSiV5								
1.2249	45SiCrV6								
1.2303	100CrMo5						F.520.F		L 7
1.2312	40CrMnMoS86		40 CMD 8						
1.2519	110WCrV5						102 WCrV 5		
1.2562	142WV13								
1.2740	28NiCrMoV10								
1.2743	60NiCrMoV124								
1.2747	28NiMo17								
1.2766	35NiCrMo16								
1.2851	34CrAl6								
1.3501	100Cr2		100 C 2						E 50100
1.3503	105Cr4								E51100
1.3505	100Cr6	100 Cr 6	100 C 6	535 A 99	100 Cr 6	2258	100 Cr 6	SUJ 2	E52100
1.3520	100CrMn6	100 Cr Mn 6	100 CM 6				100 CrMn 6		

P 2.3 STEEL | low alloyed <1100 N/mm²

Materialnumber	Germany DIN	Europe EN	France AFNOR	Great Britain BS	Italy UNI	Sweden SIS	Spain UNE	Japan JIS	USA AISI
1.2419	105WCr3	105 WCr 5	105 WC 13		107 WCr 5 KU	2140	105 WCr 5	SKS 31	
1.2511	80WCrV3								
1.2515	100WV4							SKS 21	
1.3561	44Cr2	46 Cr 1 KD	44 Cr 2						5046
1.3563	43CrMo4		43 CrMo 4						4142
1.3565	48CrMo4								
1.5023	38Si7								
1.5025	51Si7	50 Si 7			48 Si 7	2090			9259 H
1.5029	71Si7								
1.5085	51Mn7								
1.5094	38MnS6	38 MnS 6							
1.5131	50MnSi4								
1.5141	53MnSi4								
1.5142	60MnSi5								
1.5213	15MnV5								
1.5217	20MnV6								
1.5223	42MnV7								
1.5225	51MnV7								
1.5231	38MnSiV55								
1.5232	27MnSiV56								
1.5233	44MnSiV56								
1.5403	17MnMoV64			1501-261				SBV 3	
1.5526	30MnB4								
1.5710	36NiCr6		30 NC 6	640 A 35				SNC 236	3135
1.5736	36NiCr10		30 NC 11		35 NiCr 9			SNC 631 H	3435
1.5755	31NiCr14		18 NC 13	653 M 31				SNC 836	
1.6225	11NiMn54								
1.6310	20MnMoNi55		18 MND 5						
1.6368	15NiCuMoNb5			3604-591				SBV 2	
1.6511	36CrNiMo4	36 CrNiMo 4	40 NCD 3	816 M 40	38 NiCrMo 4 KB		35 NiCrMo 4		9840
1.6582	34CrNiMo6	34 CrNiMo 6	35 NCD 6	817 M 40	35 NiCrMo 6 KB	2541	40 NiCrMo 7	SNCM 447	4340
1.6946	30CrMoNiV511								
1.6948	26NiCrMoV115								
1.6971	79Ni1								
1.6972	83Ni1								
1.7038	37CrS4	37 CrS 4						SUP 11	50 B50 H
1.7214	25CrMo4				25 CrMo 4 F				
1.7389	GX12CrMo101								
1.7561	42CrV6								
1.7701	51CrMoV4		51 CDV 4		51 CrMoV 4				
1.7707	30CrMoV9								
1.7711	40CrMoV47	40 CrMoV 4 6	42 CDV 4	1506-670-860				SNB 21-1-5	
1.7725	GS30CrMoV64								
1.7733	24CrMoV55		20 CDV 6		24 CrMoV 5 5				
1.7735	14CrMoV69								
1.7741	42CrMoV73								
1.7755	GS45CrMoV104								
1.7756	GS36CrMoV104	G 36 CrMoV 10 4							
1.8070	21CrMoV511				21 CrMoV 5 11				
1.8159	50CrV4	51 CrV 4	50 CV 4	735 A 50	50 CrV 4	2230	51 CrV 4	SUP 10	6150
1.8212	21CrVMoW12								
1.8521	15CrMoV59								
1.8509	41CrAlMo7	41 CrAlMo 7	40 CAD 6. 12	905 M 39	41 CrAlMo 7	2940	41 CrAlMo 7	SACM 645	E 71400
1.8515	31CrMo12	31 CrMo 12	30 CD 12	722 M 24	31 CrMo 12	2240	31 CrMo 12		
1.8523	39CrMoV139	39 CrMoV 13 9		897 M 39	36 CrMoV 10				
1.8550	34CrAlNi7	34 CrAlMo 5							
1.8827	S460M	S 460 M	E 460	S 460 M	S460M		S460M		

P 2.4 STEEL | low alloyed <1300 N/mm²

Materialnumber	Germany DIN	Europe EN	France AFNOR	Great Britain BS	Italy UNI	Sweden SIS	Spain UNE	Japan JIS	USA AISI
1.1273	90Mn4			060 A 96				SUP 4	1090
1.2311	40CrMnMo7			BP 20	35 CrMo 8 KU				P 20
1.2710	45NiCr6								
1.2762	75CrMoNiW67								
1.5864	35NiCr18								
1.6587	17CrNiMo6	17 CrNiMo 7	18 NCD 6	820 A 16	18 NiCrMo 7	2523	14 NiCrMo 13	SNCM 815	
1.7222	42CrMoPb4								
1.7225	42CrMo4.M4S	42 CrMo 4	42 CD 4	708 A 42	42 CrMo 4	2244		SCM 440 H	4140
1.7227	42CrMoS4	42 CrMoS 4	42 CD	708 H 42	42 CrMoS 4	2244	40 CrMo 4		
1.7238	49CrMo4								

P 3.1 STEEL | high alloyed <800 N/mm²

Materialnumber	Germany DIN	Europe EN	France AFNOR	Great Britain BS	Italy UNI	Sweden SIS	Spain UNE	Japan JIS	USA AISI
1.2362	X63CrMoV51								
1.2363	X100CrMoV51	X 100 CrMoV 5 1	Z 100 CDV 5	BA 2	X 100 CrMoV 5 1 KU	2260	X 100 CrMoV 5	SKD 12	A 2
1.2367	X38CrMoV53		Z 38 CDV 5 3						
1.2376	X96CrMoV12								
1.2379	X155CrVMo121	X 153 CrMoV 12	Z 160 CDV 12	BD 2	X 155 CrVMo 12 1 KU	2310		SKD 11	D 2
1.2453	X130W5								
1.2564	X30WCrV41	30 WCrV 15 1					F.527		
1.2567	X30WCrV53	X 30 WCrV 5 3	Z 32 WCV 5		X 30 WCrV 5 3 KU			SKD 4	
1.2606	X37CrMoW51		Z 35 CWDV 5	BH 12	X 35 CrMoW 05 KU		F.537	SKD 62	H 12
1.2631	X50CrMoW911								
1.2786	X13NiCrSi3615	X 13 CrNiSi 36 15	Z 35 NCS 37-18						
1.2889	X45CoCrMoV553								

P 3.2 STEEL | high alloyed <1100 N/mm²

Materialnumber	Germany DIN	Europe EN	France AFNOR	Great Britain BS	Italy UNI	Sweden SIS	Spain UNE	Japan JIS	USA AISI
1.2083	X42Cr13	X 42 Cr 13	Z 40 C 14		X 41 Cr 13 KU	2314		SUS 420 J2	420
1.2316	X36CrMo17	X 36 CrMo 17	X38CrMo 16 1		X 38 CrMo 16 1 KU		X 38 CrMo 16		D-4
1.2343	X38CrMoVH1	X 38 CrMoV 5 1	Z 38 CDV 5	BH 11	X 37 CrMoV 5 1 KU		X 37 CrMoV 5	SKD 6	H 11
1.2344	X40CrMoV51	X 40 CrMoV 5 1	Z 40 CDV 5	BH 13	X 40 CrMoV 5 1 1 KU	2242	X 40 CrMoV 5	SKD 61	H 13
1.2436	X210CrW12	X 210 CrW 12	Z 210 CW 1 2		X 215 CrW 12 1 KU	2312	X 210 CrW 12	SKD 2	
1.2581	X30WCrV93	X 30 WCrV 9 3	Z 30 WCV 9	BH 21	X 30 WCrV 9 3 KU		X 30 WCrV 9	SKD 5	H 21
1.2601	X165CrMoV12	X 165 CrMoV 12			X 165 CrMoW 12 KU	2310	X 160 CrMoV 12		
1.2622	X60WCrMoV94								
1.2678	X45CrCoVW555								H 19
1.2731	X50NiCrWV1313								
1.2764	X19NiCrMo4								
1.2767	X45NiCrMo4	40 NiCrMo 4	Y 35 NCD 16		42 NiCrMo 15 7 KU				A 9
1.2779	X6NiCrTi2615			S 66286					660
1.2787	X23CrNi17	HS 6-5-2	Z 85 WDCV 06 05 04 02	BM 2	HS 6 5 2 2	2722		SKH 9	
1.3302	S1214	HS 12 1 4			X 150 WW 1305 KU				A 7
1.3318	S1212	HS 02.01.12							
1.3401	X120Mn12	X 120 Mn 12	Z 120 M 12	BW 10	X G 120 Mn 12	2183	AM-X 120 Mn 12	SCMnH 1	A 128
1.3543	X102CrMo17	X 102 CrMo 17	X100CrMo17		X 105 CrMo 17		X 100 CrMo 17		
1.3549	X89CrMoV81								
1.3551	80MoCrV4216		80 DCV 40	T 11350	X 80 MoCrV 4 4		80 MoCrV 40-16		M 50

P 3.3 STEEL | high alloyed <1400 N/mm²

Materialnumber	Germany DIN	Europe EN	France AFNOR	Great Britain BS	Italy UNI	Sweden SIS	Spain UNE	Japan JIS	USA AISI
1.2709	X3NiCoMoTi1895								
1.2790	72SiNiCrMoV54								
1.2888	X20CoCrWMo109								
1.3202	S12145	HS12-1-5-5		BT 15	HS 12-1-5-5		12-1-5-5		T 15
1.3207	S104310	HS10-4-3-10	Z130WKCDV10-10-04-04	BT 42	HS 10-4-3-10		10-4-3-10	SKH 57	M 44
1.3243	S6525	HS6-5-2-5	KCV 06-05-05-04-02		HS 6-5-2-5	2723	6-5-2-5	SKH 55	M 35
1.3246	S7425	HS1-8-1	Z110 WKCDV 07-05-04	T 11341	HS 7-4-2-5		7-4-2-5		M 41
1.3247	S21018	HS2-9-1-8	Z110 DKCWV 09-08-04	BM 42	HS 2-9-1-8		2-10-1-8		M 42
1.3249	S2928			BM 34			2-9-2-8		
1.3255	S18125	HS18-1-1-4	Z80 WKCV 18-05-04-01	BT 4	HS 18-1-1-5		18-1-1-5	SKH 3	T 4
1.3257	S181215								
1.3265	S181210	HS18-0-1-10		BT 5	HS 18-0-1-10		18-0-2-10	SKH 4A	T 5
1.3342	SC652	HS6-5-2	Z90 WDCV 06-05-04-02		HSC 6-5-3				M 3
1.3343	S652	HS6-5-3	Z85 WDCV 06-05-04-02	BM 2	HS 6-5-2	2722	6-5-2	SKH 51	M2
1.3344	S653		Z120 WDCV 06-05-04-03				6-5-3	SKH 52	M 3 Cl.2
1.3346	S291	HS1-8-1	Z85 DCWV 08-04-02-01	BM 1	HS 1-8-1				M1
1.3348	S292	HS2-9-2	Z100 DCWV 09-04-02-02		HS 2-9-2	2782	2-9-2		M 7
1.3355	S1801	HS18-0-1	Z80 WCV 18-04-01	BT 1	HS 18-0-1		18-0-1	SKH 2	T 1

K 1.1 GREY CAST IRON <600 N/mm² (180 HB)

Materialnumber	Germany DIN	Europe EN	France AFNOR	Great Britain BS	Italy UNI	Sweden SIS	Spain UNE	Japan JIS	USA AISI
0.6010	GG10	GJL-100	FGL 100	Grade 100	G 10	0110-00	FG 10	FC 100	A48-20 B
0.6012	GG150 HB	GJL-HB 170							
0.6015	GG15	GJL-150	FGL 150	Grade 150	G 15	0115-00	FG 15	FC 150	A48-25 B
0.6017	GG170 HB	GJL-HB 205							

K 1.2 GREY CAST IRON <1000 N/mm² (300 HB)

Materialnumber	Germany DIN	Europe EN	France AFNOR	Great Britain BS	Italy UNI	Sweden SIS	Spain UNE	Japan JIS	USA AISI
0.6020	GG20	GJL-200	FGL 200	Grade 220	G 20	0120-00	FG 20	FC 200	A48-30 B
0.6022	GG190 HB	GJL-HB 230							
0.6025	GG25	GJL-250	FGL 250	Grade 260	G 25	0125-00	FG 25	FC 250	A48-40 B
0.6027	GG220 HB	GJL-HB 250	FGL 250						
0.6030	GG30	GJL-300	FGL 300	Grade 300	G 30	0130-00	FG 30	FC 300	A48-45 B
0.6032	GG240 HB	GJL-HB 275							
0.6035	GG35	GJL-350	FGL 350	Grade 350	G 35	0135-00	FG 35	FC 350	A48-50 B
0.6037	GG260 HB	GJL-HB 275							
0.6040	GG40	GJL-400	FGL 400	Grade 400		0140-00			A48-60 B

K 2.1 MODULAR CAST IRON <650 N/mm² (200 HB)

Materialnumber	Germany DIN	Europe EN	France AFNOR	Great Britain BS	Italy UNI	Sweden SIS	Spain UNE	Japan JIS	USA AISI
0.7033	GGG353					0717-15			
0.7040	GGG40	GJS-400-15	FGS 400-12	FGS 420/12	GS 400-12	0717-02		FCD 400	60-40-18
0.7043	GGG403	GJS-400-18	FGS 370-17	FGS 370/17	GSO 42/15	0717-15		FCD 370	
0.7050	GGG50	GJS-500-7	FGS 500-7	FGS 500/7	GS 500/7	0727-02		FCD 500	65-45-12

K 2.2 MODULAR CAST IRON <850 N/mm² (250 HB)

Materialnumber	Germany DIN	Europe EN	France AFNOR	Great Britain BS	Italy UNI	Sweden SIS	Spain UNE	Japan JIS	USA AISI
0.7060	GGG60	GJS-600-3	FGS 600-3	SNG 600/3	GS 600/3	0732-03		FCD 600	80-55-06
0.7070	GGG70	GJS-700-2	FGS 700-2	SNG 700/2	GS 700-2	0737-01		FCD 700	100-70-03
0.7080	GGG80	GJS-800-2	FGS 800-2	SNG 800/2	GS 800-2			FCD 800	

K 3.1 MALLEABLE CAST IRON <440 N/mm² (130 HB)

Materialnumber	Germany DIN	Europe EN	France AFNOR	Great Britain BS	Italy UNI	Sweden SIS	Spain UNE	Japan JIS	USA AISI
0.8038	GTWS3818	GJMW-360-12	MB 300-12	W 38-12	W38-12	5922			
0.8040	GTW4005	GJMW-400-5	MB 400-5	W 40-05	GMB 40			FCMW 370	
0.8045	GTW4507	GJMW-450-7	MB 450-7	W 40-07	GMB 45			FCMWP 440	
0.8055	GTW55				GMB 55				
0.8065	GTW65				GMB 65				
0.8135	GTS3510	GJMB-350-10	MN 350-10	B 340/12		0815		FCMP 330	32510
0.8145	GTS4506	GJMB-450-6	MP 45-06	P 440/7		0852		FCMP 440 c3	40010

K 3.2 MALLEABLE CAST IRON <800 N/mm² (230 HB)

Materialnumber	Germany DIN	Europe EN	France AFNOR	Great Britain BS	Italy UNI	Sweden SIS	Spain UNE	Japan JIS	USA AISI
0.8035	GTW3504	GJMW-350-4						FCMW 330 c1	
0.8155	GTS5504	GJMB-550-4	MP 50-5	P 510/4		0854		FCMP 490	50005
0.8165	GTS6502	GJMB-650-2	MP 60-3	P 570/3		0858		FCMP 540	70003
0.8170	GTS7002	GJMB-700-2	Mn 700-2	P 690/2	GMN 70	0862		FCMP 690	90001

Technical formulas

Calculate cutting speed (m/min)

$$V_c = \frac{D \cdot \pi \cdot n}{1000}$$

Calculate rotational speed (rpm)

$$n = \frac{V_c \cdot 1000}{D \cdot \pi}$$

Calculate feed rate (mm/min)

$$V_f = n \cdot z \cdot f_z$$

Calculate feed per tooth (mm/number of teeth)

$$f_z = \frac{V_f}{n \cdot z}$$

Calculate chip removal rate (cm³/min)

$$Q = \frac{a_p \cdot a_e \cdot V_f}{1000}$$

Calculate average chip thickness (mm)

$$h_m = f_z \cdot \frac{\sqrt{a_e}}{D}$$

Explanation of terms

V _c	Cutting speed	in m/min
n	Rotational speed	in rpm
V _f	Feed rate	in mm/min
F _z	Feed per tooth	in mm/number of teeth
z	Number of teeth (cutting)	
a _p	Depth of cut	in mm
a _e	Width of cut	in mm
h _m	Average chip thickness	in mm
Q	Chip removal rate	in cm ³ /min
D	Diameter of tool	in mm



GENERAL TERMS OF SALE

§ 1 SCOPE

1. These General Terms of Sale apply to all business relationships between Hofmann & Vratny OHG (hereinafter referred to as “Hofmann & Vratny”) and its customers (hereinafter referred to individually as the “Ordering Party” and collectively as the “Ordering Parties”).

2. These General Terms of Sale only apply to Ordering Parties that are entrepreneurs pursuant to §§ 14 and 310 para. 1 of the BGB (Civil Code of Germany), legal entities under public law, and/or special funds under public law.

3. The scope of application of these General Terms of Sale includes, but is not limited to, contracts regarding the sale and/or delivery of chattels (hereinafter referred to as “Goods”) regardless of whether they are produced by Hofmann & Vratny or procured from suppliers (§§ 433 and 651 of the BGB). Unless agreed upon otherwise, the version of these General Terms of Sale applicable at the time the Ordering Party places an order and in any case the most recent version of these General Terms of Sale provided to the Ordering Party in writing in the form of a master agreement also shall apply to similar contracts made at a later date without Hofmann & Vratny being required to make reference to them in every individual case.

4. These General Terms of Sale shall apply exclusively. These General Terms of Sale also shall apply if and when Hofmann & Vratny executes a delivery without reservation despite having knowledge of the Ordering Party’s terms of sale which contradict or deviate from these General Terms of Sale. Any of the Ordering Party’s terms of sale which contradict or deviate from these General Terms of Sale shall become part of a contract only with Hofmann & Vratny’s express prior consent. Such requirement to consent shall apply in any case even, for example, if the Ordering Party refers to its terms of sale as part of an order placement and Hofmann & Vratny does not object explicitly to such terms.

5. If Hofmann & Vratny and the Ordering Party have entered into any individual agreements, such individual agreements shall prevail over these General Terms of Sale. The content of such individual agreements only can be substantiated by a written contract or by written confirmation from Hofmann & Vratny. Individual agreements (e.g., outline delivery contracts, quality assurance agreements) and information provided in Hofmann & Vratny’s order confirmation shall prevail over these General Terms of Sale. In case of doubt, commercial clauses shall be interpreted based on the Incoterms® issued by the International Chamber of Commerce in Paris (ICC) and applicable at the time the contract is entered into.

6. All of the Ordering Party’s legal declarations and notifications made with regard to the contract (e.g., in connection with deadlines or notices of defects, rescission, or reduction) shall be made in writing to be effective. In the context of these General Terms of Sale, in writing shall include written and text forms (e.g., letters, e-mails, faxes). Legal requirements regarding form and other verifications including, but not limited to, cases of doubt regarding the legitimation of the notifying party shall remain unaffected.

7. All references to applicable laws shall be for the purpose of clarification only. Unless amended in or excluded expressly from these General Terms of Sale, laws shall apply even without express reference.

§ 2 OFFERS AND ACCEPTANCE

1. All offers made by Hofmann & Vratny shall be subject to change and shall be non-binding including if and when images, drawings, technical documentation, calculations, analyses, other documents or product descriptions of whatever nature (hereinafter referred to as “Documents”) are provided to the Ordering Party if the proprietary rights and copyrights to those Documents are retained by Hofmann & Vratny.

2. All orders for Goods placed by the Ordering Party shall constitute binding offers. Unless stated otherwise in the respective order, Hofmann & Vratny shall be entitled to accept an offer within two weeks after receipt of said offer.

3. Hofmann & Vratny shall accept offers in writing (e.g., in the form of an order confirmation) or by delivering the respective Goods to the Ordering Party.

4. All proprietary rights and copyrights to Documents shall remain with Hofmann & Vratny. Documents marked as confidential shall be forwarded to third parties only with the express written consent of Hofmann & Vratny.

§ 3 DELIVERY DEADLINES AND DEFAULT OF DELIVERY

1. Delivery deadlines shall be agreed upon by Hofmann & Vratny and the individual Ordering Party or shall be specified by Hofmann & Vratny upon acceptance of the order or in the order confirmation.

2. Hofmann & Vratny’s compliance with delivery obligations shall be conditional upon the Ordering Party’s on-time and proper compliance with the Ordering Party’s obligations including, but not limited to, the provision of the papers, permits and approvals required to be provided by the Ordering Party and the receipt by Hofmann & Vratny of the agreed-upon down payment, if any. In the event of delays, the delivery time shall be extended reasonably.

3. If Hofmann & Vratny is unable to meet any binding delivery deadlines for reasons beyond the control of Hofmann & Vratny (non-availability of services), the Ordering Party shall be notified without undue delay and shall be provided with an estimated new delivery deadline. If the agreed upon Goods do not become available before the new deadline expires, Hofmann & Vratny shall be entitled to rescind the contract in whole or in part and shall reimburse the Ordering Party without undue delay for any and all consideration paid up to that time. For the fulfillment of this clause, non-availability of services shall include, but shall not be limited to, delayed delivery from any of Hofmann & Vratny’s suppliers for reasons beyond the control of Hofmann & Vratny or its suppliers, or if Hofmann & Vratny is not responsible for procuring the Goods.

4. If failure to comply with a delivery deadline is due to an act of God, industrial dispute or other event beyond the control of Hofmann & Vratny, the delivery time shall be extended reasonably. The same shall apply if and when any such act of God, industrial dispute or other event has arisen at any of Hofmann & Vratny’s sub-suppliers which event can be demonstrated to have had an impact on compliance with the delivery deadline. Hofmann & Vratny shall notify the Ordering Party of such circumstances without undue delay. Events also shall be deemed to be beyond Hofmann & Vratny’s control if and when they occur during a delay. In this case, the delay shall be deemed to be suspended for the duration of the respective event.

5. The beginning of a period of delivery default shall be in accordance with the law, but shall in any case require a reminder issued by the Ordering Party.

6. If a contract regarding stand-by delivery has been signed, Hofmann & Vratny shall deliver and invoice the Goods no later than 12 months after the date of such contract (hereinafter referred to as the “Recall Period”), even if the Ordering Party has failed to recall the Goods by that time. After the Recall Period has expired, Hofmann & Vratny can notify the Ordering Party of Hofmann & Vratny’s readiness to deliver and can request that the Ordering Party recall the Goods within a reasonable period of time. If the Ordering Party fails to recall the Goods within such period, Hofmann & Vratny shall be entitled to demand an additional lumpsum compensation for warehousing costs (hereinafter referred to as the “Warehousing Allowance”). The Warehousing Allowance shall be 0.5% of the net value of the purchased Goods for every full week, but shall not exceed 5% of the net value of the purchased Goods in total. The Ordering Party shall be free to prove that Hofmann & Vratny did not incur any damages or that any damages incurred were lower than the Warehousing Allowance. If the Ordering Party fails to recall the Goods within the Recall Period determined by Hofmann & Vratny, Hofmann & Vratny shall be entitled to dispose of the Goods as Hofmann & Vratny sees fit. The statutory provisions regarding rescission shall remain unaffected.

§ 4 DELIVERY AND DEFAULT OF ACCEPTANCE

1. Unless agreed upon otherwise, all deliveries shall be ex works, that is, the

place of performance for deliveries and for all subsequent actions. Unless agreed upon otherwise, upon request and at the expense of the Ordering Party the Goods shall be delivered to another destination (hereinafter referred to as “Sales Involving the Carriage of Goods”). Unless agreed upon otherwise, Hofmann & Vratny shall be entitled to determine the shipment method (including, but not limited to, the forwarder, the type of shipment and the packaging).

2. Partial deliveries shall be admissible, provided the Ordering Party reasonably can be expected to accept them.

3. Delivered Goods shall be accepted by the Ordering Party even if the delivered Goods have minor defects provided the Ordering Party reasonably can be expected to accept such Goods.

4. The risk of accidental destruction and/or deterioration of the Goods shall transfer to the Ordering Party no later than upon surrender of the Goods. In the case of Sales Involving the Carriage of Goods, the risk of accidental destruction and/or deterioration of the Goods and the risk of delay shall transfer to the Ordering Party no later than at the time of delivery of the Goods to the forwarder, carrier, or any other person designated to execute shipment of the Goods. Delivery shall be deemed to have been effected even if the Ordering Party is in default of acceptance.

5. If the Ordering Party is in default of acceptance or fails to cooperate or if delivery is delayed for other reasons for which the Ordering Party is responsible, Hofmann & Vratny shall be entitled to demand reimbursement for the damages incurred in connection therewith including additional expenses (e.g., warehousing costs).

§ 5 TERMS OF PAYMENT

1. Unless agreed upon otherwise in individual cases, Hofmann & Vratny’s prices plus statutory sales tax valid at the time the contract is signed shall apply. The prices indicated in Hofmann & Vratny’s catalogs are non-binding and subject to change and/ or correction.

2. Unless agreed upon otherwise, in the case of Sales Involving the Carriage of Goods the Ordering Party shall bear the costs of packaging and transportation ex works and the costs, if any, for transportation insurance if such insurance is requested by the Ordering Party. All customs and other fees, taxes and other public charges also shall be borne by the Ordering Party unless agreed upon otherwise. Ownership of the packaging for transportation and otherwise pursuant to the Verpackungsordnung (Packaging Ordinance of Germany) shall transfer to the Ordering Party and such packaging shall not be returned to Hofmann & Vratny. Pallets shall be exempt from this rule.

3. Unless agreed upon otherwise in the order confirmation, the purchase price plus statutory sales tax shall be due and payable without any deductions within 14 days after the date of invoicing and delivery or acceptance of the Goods. However, Hofmann & Vratny reserves the right to make full or partial deliveries against cash in advance at any time including during an ongoing business relationship. The assertion of such right shall be communicated no later than at the time the order confirmation is issued. The Ordering Party shall be deemed to be in default of payment upon the expiration of the aforementioned payment deadline. The applicable rate of interest on the purchase price of the Goods shall become payable during the default period. The right to assert claims for more substantial compensation shall be reserved. Hofmann & Vratny’s right to claim commercial-rate default interest (§ 353 of the HGB) shall remain unaffected.

4. The Ordering Party’s rights of set-off and retention shall be limited to the extent the Ordering Party’s claim is determined in a court of law or is undisputed. The Ordering Party’s rights based on defects in the purchased Goods (see § 7 hereof) shall remain unaffected.

5. After the contract has been signed, if there is evidence that Hofmann & Vratny’s claim to the purchase price will be compromised due to lack of performance on the part of the Ordering Party, Hofmann & Vratny shall be entitled to refuse performance pursuant to the applicable laws and, after setting a deadline, if applicable, shall be entitled to rescind the contract. In the case of contracts regarding the production of customized items, Hofmann & Vratny shall be entitled to rescind the contract immediately and the laws regarding the expendability of setting deadlines shall remain unaffected.

§ 6 RETENTION OF TITLE

1. Until all pending and future receivables in connection with the business relationship between Hofmann & Vratny and the Ordering Party are paid in full, Hofmann & Vratny shall retain ownership of the Goods. If the Ordering Party violates the contract including, but not limited to, default of payment, Hofmann & Vratny shall be entitled to rescind the contract pursuant to the applicable laws and to demand the surrender of the Goods.

2. Goods subject to retention of title shall not be pledged or assigned as collateral before the Ordering Party has paid in full. The Ordering Party shall notify Hofmann & Vratny in writing without undue delay in the event of a filing for commencement of insolvency proceedings or if third parties gain access (e.g., seizures) to Goods belonging to Hofmann & Vratny.

3. If the Ordering Party violates the contract including, but not limited to, by failing to pay the purchase price when due, Hofmann & Vratny shall be entitled to rescind the contract pursuant to the applicable laws and to demand the surrender of the Goods due to the retention of title and the rescission.

4. Until further notice, the Ordering Party shall be entitled to resell/and or process in the ordinary course of business any Goods subject to retention of title. In this case, the provisions below also shall apply.

a) The retention of title shall include title to the full value of work products resulting from processing, mixing or combining the Goods, in which case Hofmann & Vratny shall be deemed to be the manufacturer. If and when third-party goods are processed, mixed or combined and such third parties retain ownership, Hofmann & Vratny shall acquire coownership pro rata of the invoiced value of work products so processed, mixed or combined. In all other cases, the creation of work products shall be subject to the same provisions as the delivered Goods subject to retention of title.

b) The Ordering Party hereby agrees to assign to Hofmann & Vratny as collateral any and all receivables against third parties resulting from the resale of the Goods or work results in full or in the amount of Hofmann & Vratny’s estimated share of co-ownership pursuant to a) above, and Hofmann & Vratny hereby accepts such assignment. The Ordering Party’s obligations under § 6 2) hereof also shall apply with respect to the receivables assigned.

c) In addition to Hofmann & Vratny, the Ordering Party shall remain authorized to collect receivables. Hofmann & Vratny undertakes to refrain from collecting receivables as long as the Ordering Party meets its payment obligations vis-à-vis Hofmann & Vratny and does not fail to perform and Hofmann & Vratny does not assert its retention of title by asserting a right under § 6 3) hereof. Otherwise, Hofmann & Vratny shall be entitled to demand that the Ordering Party inform Hofmann & Vratny of such receivables assigned and of the names of the debtors, provide Hofmann & Vratny with all the information required for collecting such receivables and the pertinent documents, and inform the debtors (third parties) of the assignment. In addition, in this case Hofmann & Vratny shall be entitled to revoke the Ordering Party’s authorization to resell and/or process Goods which are subject to retention of title.

5. Upon request of the Ordering Party, Hofmann & Vratny shall release the collateral to which Hofmann & Vratny is entitled insofar as the realizable value of such collateral exceeds the receivables to be collateralized by more than 10 percent. Hofmann & Vratny shall be free in its decision regarding which collateral to release.

§ 7 LIABILITY FOR DEFECTS AND CLAIMS FOR DEFECTS

1. Unless otherwise agreed upon herein, the Ordering Party’s rights based on defects in quality and/or in title (including delivery of the wrong Goods or insufficient amounts, improper assembly/installation, or incomplete instructions) shall be subject to the applicable laws. The special legal stipulations regarding reimbursement of expenses at the time of delivery of newly produced Goods (supplier’s recourse as specified in §§ 478, 445a, 445b and §§ 445c, 327 para. 5, 327u of the BGB) shall remain unaffected in any case, unless equal-value compensation has been agreed upon, for example, as part of a quality assurance agreement.

2. Hofmann & Vratny’s liability for defects shall be based first and foremost on the respective agreement entered into regarding the quality and the posulated use of the Goods (including fittings and instructions). In this context,

an agreement regarding the quality of Goods shall be any and all product descriptions and manufacturer-provided information outlined in the individual agreement or made publicly known by Hofmann & Vratny (including, but not limited to, in catalogs or on Hofmann & Vratny's internet homepage) at the time the contract was signed. However, if and when no agreement regarding quality has been entered into, the presence or absence of a defect shall be determined based on the legal regulations (§ 434 para. 3 of the BGB). Statements made publicly by the manufacturer or on the manufacturer's behalf including, but not limited to, in advertising materials or on labels on the Goods shall prevail over other third parties' statements. In the case of Goods comprising digital elements or other digital content, Hofmann & Vratny shall be responsible for providing and, if required, updating the digital content only if defined expressly in an agreement regarding the quality of Goods, as stipulated above. Hofmann & Vratny shall not assume any liability for public statements made by the manufacturer or other third parties.

3. Hofmann & Vratny shall not assume liability for any defects of which the Ordering Party is aware, or for any defects of which the Ordering Party is grossly negligent if it is not aware (§ 442 of the BGB) at time the contract is signed. The assertion of claims by the Ordering Party regarding defects shall be conditional upon the Ordering Party's meeting of its statutory duty to inspect and to give notice of defects (§§ 377 and 381 of the HGB (Commercial Code of Germany)). If a defect in the Goods becomes apparent during or after inspection, the Ordering Party shall give written notice to Hofmann & Vratny without undue delay. Regardless of the Ordering Party's duty to inspect and to give notice of defects, the Ordering Party shall give written notice of obvious defects within two weeks after delivery, which notice shall be deemed to have been given in a timely manner if it is transmitted before the end of such period. If the Ordering Party fails to inspect the Goods properly and/or to give proper notice of any defects, Hofmann & Vratny shall not assume liability for any defects for which no notice was given.

4. If any of the Goods are defective, Hofmann & Vratny shall be free to offer supplementary action to remedy the defect or defects (supplementary remedy) or to deliver defect-free Goods (replacement) to the Ordering Party. In individual cases, the Ordering Party may refuse a supplementary action selected by Hofmann & Vratny that the Ordering Party considers to be unreasonable. It is Hofmann & Vratny's right to refuse to offer supplementary action under the applicable laws shall remain unaffected. The requirement for Hofmann & Vratny to provide any supplementary action owed shall be conditional upon the Ordering Party's paying of the purchase price when due. However, the Ordering Party shall be entitled to retain a reasonable portion of the purchase price pro rata in consideration of the defect. The Ordering Party shall give Hofmann & Vratny the time and the opportunity to provide the supplementary action owed including, but not limited to, providing Hofmann & Vratny the opportunity to inspect the Goods which are subject to complaint. If Hofmann & Vratny opts to replace the Goods, at Hofmann & Vratny's request the Ordering Party shall return the defective Goods to Hofmann & Vratny in accordance with the applicable laws; however, the Ordering Party shall not have the right to request to return the defective Goods. Supplementary action shall not include the disassembly, removal, or de-installation of defective Goods nor the assembly, mounting, or installation of defect-free Goods, provided Hofmann & Vratny was not originally obligated to provide such services; any rights the Ordering Party may have to be reimbursed for such costs (hereinafter referred to as "Disassembly and Assembly Costs") shall remain unaffected.

5. If in fact a defect is present, any and all expenses incurred in connection with inspections and supplementary action including, but not limited to, transportation, road, labor and material costs, and Disassembly and Assembly Costs shall be borne by Hofmann & Vratny in accordance with the laws and these General Terms of Sale. However, if the Ordering Party's demand for remedy of a defect is proven to be invalid because the Ordering Party was aware or was grossly negligent if it was not aware that no defect actually was present, Hofmann & Vratny can demand reimbursement from the Ordering Party for any costs incurred therewith. If the costs of supplementary remedy would be disproportionately high, the Ordering Party shall not be entitled to claim remedy of defects.

6. If and when a reasonable deadline for supplementary action set by the buyer has expired unsuccessfully or can be disregarded under the law, the Ordering Party can rescind the purchasing contract in accordance with the law or reduce the purchase price. However, no right to rescind shall apply in the case of insignificant defects.

7. The Ordering Party's claims for damages or reimbursement for wasted expenses shall be limited by the provisions of § 8 below and shall be excluded in all other cases.

8. The statute of limitations for claims for defects in quality and in title shall be one year after delivery of the Goods. The statute of limitations shall commence upon delivery of the Goods provided acceptance has been agreed upon. Other special legal stipulations regarding statutes of limitations (including, but not limited to, § 438 para. 1 no. 1, no. 2, para. 3, §§ 444, 445b of the BGB) shall remain unaffected. The aforementioned statutes of limitations specified in the purchasing laws also shall apply to any contractual and extra-contractual claims for reimbursement made by the Ordering Party based on a defect in the Goods, unless applying the regular statute of limitations stipulated by law (§§ 195, 199 of the BGB) would result in a reduced statute of limitations in individual cases. Any claims for reimbursement the Ordering Party may have pursuant to § 8 para. 2 p. 1 and p. 2 (a) and pursuant to the Produkthaftungsgesetz (Product Liability Act of Germany) shall be subject exclusively to the statutes of limitations stipulated by law.

§ 8 OTHER LIABILITIES

1. Unless agreed upon otherwise in these General Terms of Sale and in the provisions below, Hofmann & Vratny's liability for breach of contractual and non-contractual obligations shall be in accordance with the applicable laws.

2. Hofmann & Vratny's liability for damages, regardless of the legal reasons and of whether or not they are known, as part of Verschuldenshaftung (liability arising from damage caused by negligent act) shall include intent and gross negligence. Subject to the limitations of liability stipulated by law (e.g., diligence with its own affairs, insignificant breach of duty), in the event of minor negligence Hofmann & Vratny's liability shall be limited to (a) damages resulting from harm to life, body or health and/or (b) damages resulting from the not-insignificant breach of a material contractual obligation, that is, an obligation which must be met to make the proper fulfillment of the contract possible and the meeting of which the Ordering Party relies upon and can rely upon on a regular basis. In this case, however, Hofmann & Vratny's liability shall be limited to reimbursement of the foreseeable damages typical in such cases.

3. The limitation of liability specified above also shall apply vis-à-vis third parties and in the event of a breach of duty by any person (including to his/her own benefit) for which Hofmann & Vratny is responsible by law; however, it shall not apply if and when Hofmann & Vratny is found to have failed to disclose a defect maliciously or has assumed a guarantee for the quality of the Goods and for the Ordering Party's claims under the Produkthaftungsgesetz.

4. The Ordering Party can rescind or cancel a contract due to a breach of obligation other than a breach based on a defect only if and when Hofmann & Vratny is responsible for such breach of obligation. The Ordering Party shall not have an unrestricted right to terminate a contract. All other cases shall be subject to the applicable laws and legal consequences.

§ 9 APPLICABLE LAW AND JURISDICTION

1. These General Terms of Sale and all legal relationships between Hofmann & Vratny and the Ordering Party shall be subject to the laws of the Federal Republic of Germany under exclusion of the provisions of uniform international law. The CISG shall not apply.

2. Any and all disputes arising directly or indirectly from the contractual relationship shall be subject exclusively, including at an international level, to the jurisdiction of Aßling if the Ordering Party is a businessperson as defined in the Handelsgesetzbuch (Commercial Code of Germany), a legal entity under public law, or a special fund under public law. The same shall apply if the Ordering Party is an entrepreneur pursuant to §§ 14 of the BGB. However, in any case Hofmann & Vratny shall be entitled to sue the Ordering Party at the place of performance of the obligation to deliver under these General Terms of Sale and/or under a prevailing individual agreement or at the Ordering Party's general jurisdiction. Prevailing legal regulations including, but not limited to, regarding exclusive jurisdictions, shall remain unaffected.

Hofmann & Vratny OHG
June 2022

CONTACT HOFMANN & VRATNY

Hofmann & Vratny OHG - Headquarters

Steinkirchen 4½

85617 Aßling

Telephone: +49 80 92 / 85 333-0

Fax: +49 80 92 / 85 333-105

E-Mail: info@vhmhv.de

Hofmann & Vratny OHG - Regrinding centre

Poststr. 15a

90471 Nürnberg

Telephone: +49 80 92 / 85 333-152

E-Mail: nbg@vhmhv.de

A RELIABLE PARTNER

DISCOVER OUR H&V PRODUCT RANGE.

Our goal is to provide companies around the world with the best tools.

We are constantly developing our product portfolio. We experiment with new geometries, coatings and materials at our research and development center to make the right milling cutters for every application.

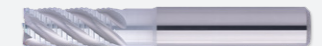
SCAN THE QR CODE NOW



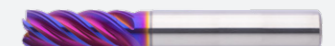
EXPERT | Non-ferrous materials



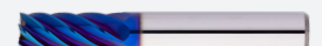
EXPERT | Steel & cast iron



EXPERT | Titanium



EXPERT | Hardened steel



BASIC | Universal





Expert

2022

EN

HOFMANN & VRATNY EXM1 SERIES - EXPERTS IN CUTTING STAINLESS STEEL

Hofmann & Vratny OHG

Steinkirchen 4½

85617 Aßling

Telephone: +49 80 92 / 85 333-0

E-Mail: info@vhmhv.de

Web: www.vhmv.de

OFFICIAL PARTNER OF H&V

